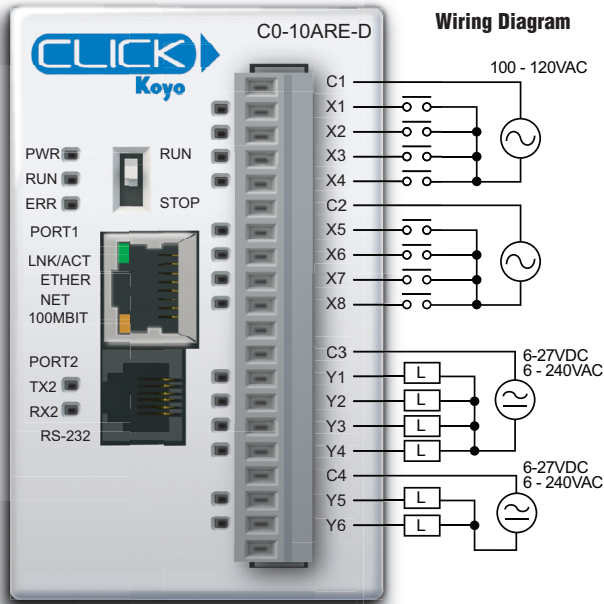


Ethernet Basic PLC

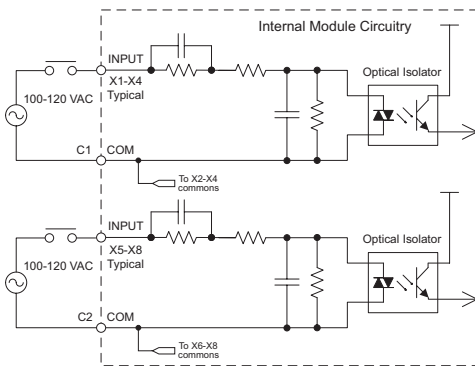
CO-10ARE-D

8 AC Input/6 Relay Output Micro PLC

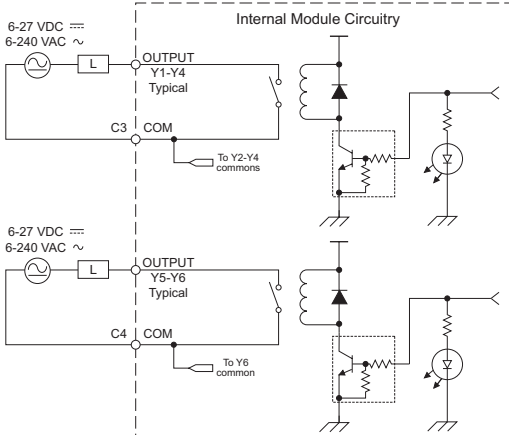


NOTE: When using Ethernet Basic PLCs, you must use CLICK programming software version V2.00 or later.

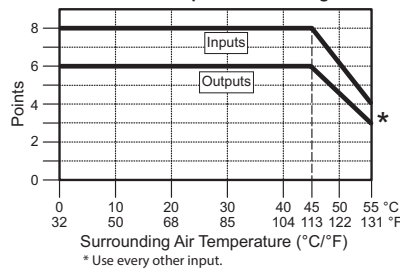
Equivalent Input Circuit



Equivalent Output Circuit



CO-10ARE-D Temperature Derating Chart



CO-10ARE-D Built-in I/O Specifications - Inputs

Inputs per Module	8
Operating Voltage Range	100-120 VAC
Input Voltage Range	80-144 VAC
AC Frequency	47-63 Hz
Input Current	8.5 mA @ 100 VAC at 50 Hz 10 mA @ 100 VAC at 60 Hz
Maximum Input Current	16 mA @ 144 VAC at 55°C or 131°F
Input Impedance	15 kΩ @ 50 Hz 12 kΩ @ 60 Hz
ON Voltage Level	> 60 VAC
OFF Voltage Level	< 20 VAC
Minimum ON Current	5 mA
Maximum OFF Current	2 mA
OFF to ON Response	< 40 ms
ON to OFF Response	< 40 ms
Status Indicators	Logic Side (8 points, green LED)
Commons	2 (4 points/common) Isolated

CO-10ARE-D Built-in I/O Specifications - Outputs

Outputs per Module	6
Operating Voltage Range	6-240 VAC (47-63 Hz), 6-27 VDC
Output Voltage Range	5-264 VAC (47-63 Hz) 5-30 VDC
Output Type	Relay, form A (SPDT)
Maximum Current	1 A/point; C3: 4 A/common, C4: 2 A/common
Minimum Load Current	5 mA @ 5 VDC
Maximum Inrush Current	3 A for 10 ms
OFF to ON Response	< 15 ms
ON to OFF Response	< 15 ms
Status Indicators	Logic Side (6 points, red LED)
Commons	2 (4 points/com & 2 points/com) Isolated

General Specifications

Current Consumption at 24VDC	120 mA
Terminal Block Replacement Part No.	CO-16TB
Weight	5.6 oz (160 g)

Typical Relay Life (Operations) at Room Temperature

Voltage & Load Type	Relay Life
30 VDC, 1A Resistive	300,000 cycles
30 VDC, 1A Solenoid	50,000 cycles
250 VAC, 1A Resistive	500,000 cycles
250 VAC, 1A Solenoid	200,000 cycles

ON to OFF = 1 cycle

ZIPLink Pre-Wired PLC Connection Cables and Modules



ZL-RTB20 20-pin feed-through connector module



20-pin connector cable
ZL-C0-CBL20 (0.5 m length)
ZL-C0-CBL20-1 (1.0 m length)
ZL-C0-CBL20-2 (2.0 m length)