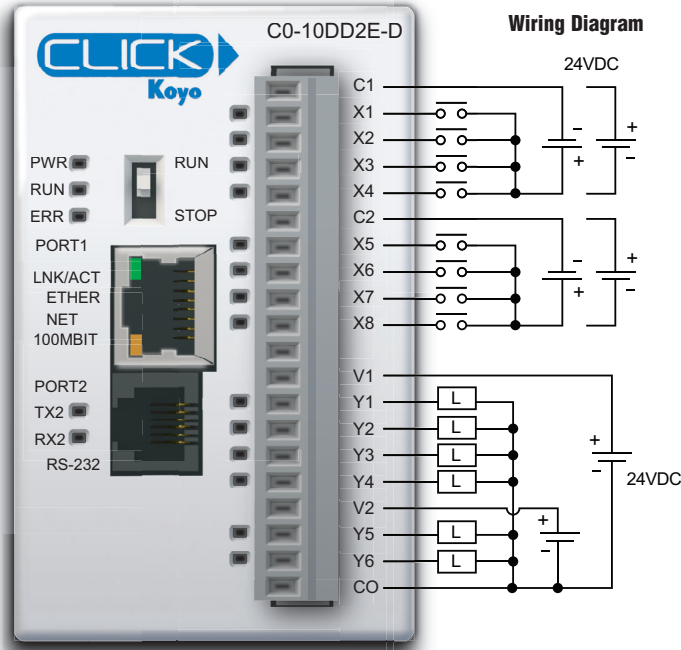


Ethernet Basic PLC

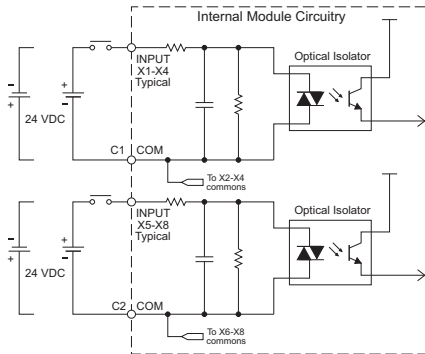
C0-10DD2E-D

8 DC Input/6 Sourcing DC Output Micro PLC

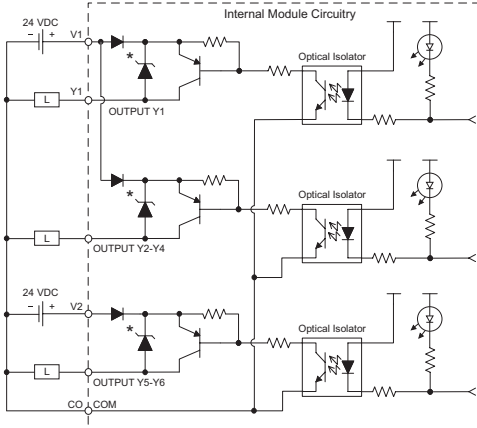


NOTE: When using Ethernet Basic PLCs, you must use CLICK programming software version V2.00 or later.

Equivalent Input Circuit



Equivalent Output Circuit



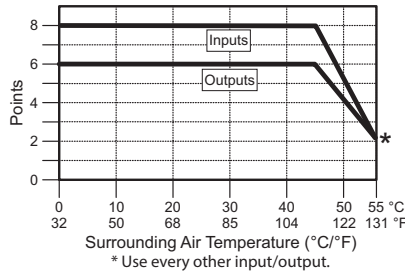
*Zener Diode Power Dissipation: 200 mW

C0-10DD2E-D Built-in I/O Specifications - Inputs	
Inputs per Module	8 (Sink/Source)
Operating Voltage Range	24 VDC
Input Voltage Range	21.6 - 26.4 VDC
Input Current	X1-4: Typ 6.5 mA @ 24 VDC X5-8: Typ 4 mA @ 24 VDC
Maximum Input Current	X1-4: 7.0 mA @ 26.4 VDC X5-8: 5.0 mA @ 26.4 VDC
Input Impedance	X1-4: 3.9 kΩ @ 24 VDC X5-8: 6.8 kΩ @ 24 VDC
ON Voltage Level	> 19 VDC
OFF Voltage Level	X1-4: < 2 VDC X5-8: < 7 VDC
Minimum ON Current	X1-4: 4.5 mA X5-8: 3.5 mA
Maximum OFF Current	X1-4: 0.5 mA X5-8: 1.5 mA
OFF to ON Response	X1-4: Typ 5 μs Max 20 μs X5-8: Typ 2 ms Max 10 ms
ON to OFF Response	X1-4: Typ 5 μs Max 20 μs X5-8: Typ 3 ms Max 10 ms
Status Indicators	Logic Side (8 points, green LED)
Commons	2 (4 points/common) Isolated

C0-10DD2E-D Built-in I/O Specifications - Outputs	
Outputs per Module	6 (Source)
Operating Voltage Range	24 VDC
Output Voltage Range	19.2-30 VDC
Maximum Output Current	0.1 A/point , 0.6 A/common
Minimum Output Current	0.2 mA
Maximum Leakage Current	0.1 mA @ 30 VDC
On Voltage Drop	0.5 VDC @ 0.1 A
Maximum Inrush Current	150 mA for 10 ms
OFF to ON Response	Max. 0.5 ms
ON to OFF Response	Max 0.5 ms
Status Indicators	Logic Side (6 points, red LED)
Commons	1 (6 points/common)

General Specifications	
Current Consumption at 24VDC	120 mA
Terminal Block Replacement Part No.	C0-16TB
Weight	5.0 oz (140 g)

C0-10DD2E-D Temperature Derating Chart



* Use every other input/output.

ZIPLink Pre-Wired PLC Connection Cables and Modules



ZL-RTB20 20-pin feed-through connector module



20-pin connector cable
ZL-C0-CBL20 (0.5 m length)
ZL-C0-CBL20-1 (1.0 m length)
ZL-C0-CBL20-2 (2.0 m length)