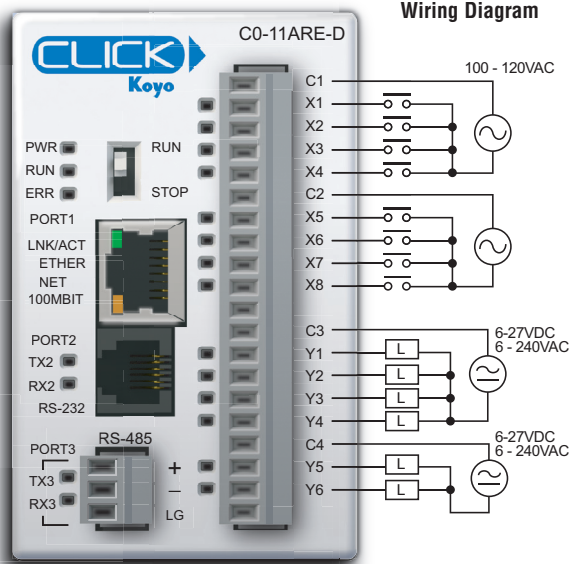


Ethernet Standard PLC

CO-11ARE-D

8 AC Input/6 Relay Output Micro PLC

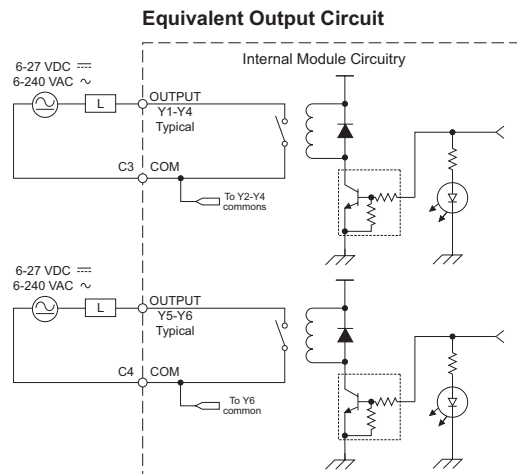
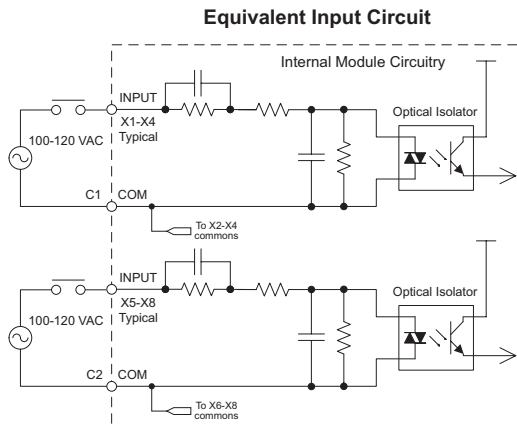


NOTE: When using Ethernet Standard PLCs, you must use CLICK programming software version V2.00 or later.

CO-11ARE-D Built-in I/O Specifications - Inputs	
Inputs per Module	8
Operating Voltage Range	100-120 VAC
Input Voltage Range	80-144 VAC
AC Frequency	47-63 Hz
Input Current	8.5 mA @ 100 VAC at 50 Hz 10 mA @ 100 VAC at 60 Hz
Maximum Input Current	16 mA @ 144 VAC
Input Impedance	15 kΩ @ 50 Hz 12 kΩ @ 60 Hz
ON Voltage Level	> 60 VAC
OFF Voltage Level	< 20 VAC
Minimum ON Current	5 mA
Maximum OFF Current	2 mA
OFF to ON Response	< 40 ms
ON to OFF Response	< 40 ms
Status Indicators	Logic Side (8 points, green LED)
Commons	2 (4 points/common) Isolated

CO-11ARE-D Built-in I/O Specifications - Outputs	
Outputs per Module	6
Operating Voltage Range	6-240 VAC (47-63 Hz), 6-27 VDC
Output Voltage Range	5-264 VAC (47-63 Hz), 5-30 VDC
Output Type	Relay, form A (SPST)
Maximum Current	1 A/point; C3: 4A/common, C4: 2A/common
Minimum Load Current	5 mA @ 5 VDC
Maximum Inrush Current	3A for 10 ms
OFF to ON Response	< 15 ms
ON to OFF Response	< 15 ms
Status Indicators	Logic Side (6 points, red LED)
Commons	2 (4 points/com & 2 points/com) Isolated

General Specifications	
Current Consumption at 24VDC	140 mA
Terminal Block Replacement Part No.	CO-16TB
Weight	5.6 oz (160 g)



ZIPLink Pre-Wired PLC Connection Cables and Modules for CLICK PLC

- 20-pin connector cable
- ZL-C0-CBL20 (0.5 m length)
- ZL-C0-CBL20-1 (1.0 m length)
- ZL-C0-CBL20-2 (2.0 m length)



ZL-RTB20
20-pin feed-through connector module

Typical Relay Life (Operations) at Room Temperature	
Voltage & Load Type	Relay Life
30 VDC, 1A Resistive	300,000 cycles
30 VDC, 1A Solenoid	50,000 cycles
250 VAC, 1A Resistive	500,000 cycles
250 VAC, 1A Solenoid	200,000 cycles
ON to OFF = 1 cycle	

