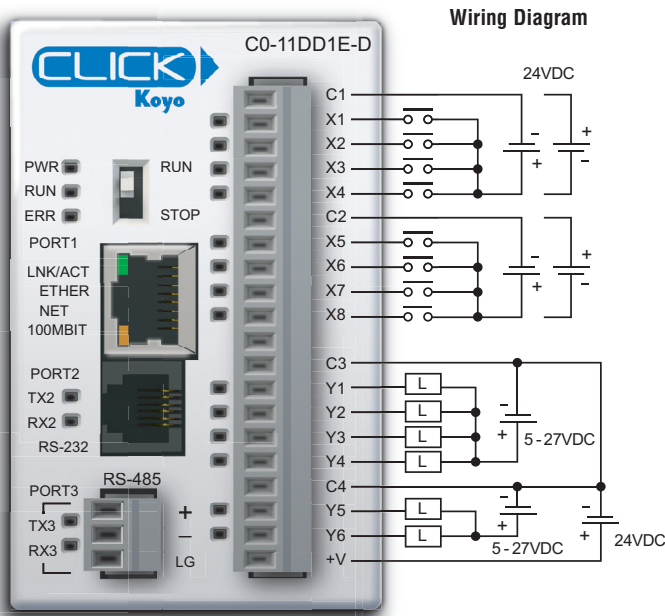


Ethernet Standard PLC

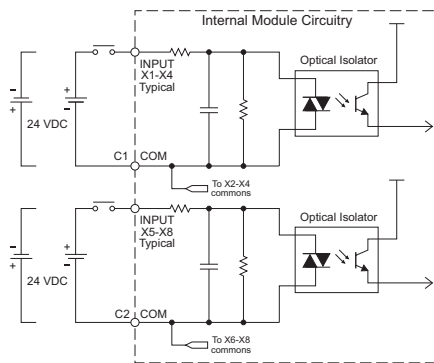
C0-11DD1E-D

8 DC Input/6 Sinking DC Output Micro PLC

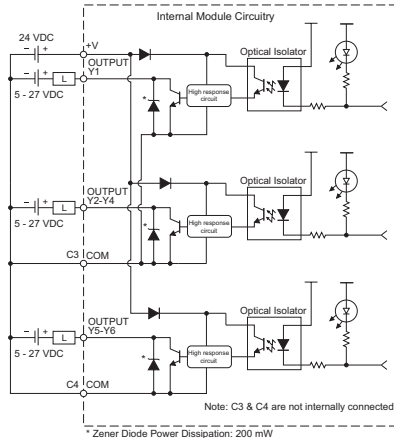


NOTE: When using Ethernet Standard PLCs, you must use CLICK programming software version V2.00 or later.

Equivalent Input Circuit



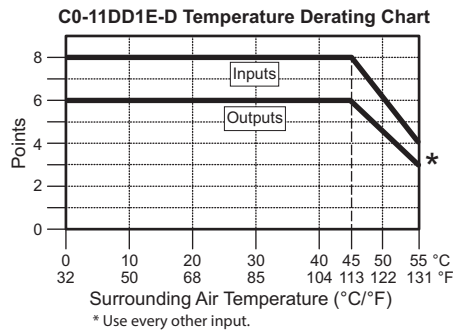
Equivalent Output Circuit



C0-11DD1E-D Built-in I/O Specifications - Inputs	
Inputs per Module	8 (Sink/Source)
Operating Voltage Range	24 VDC
Input Voltage Range	21.6 - 26.4 VDC
Input Current	Typ 6.5 mA @ 24 VDC
Maximum Input Current	7.0 mA @ 26.4 VDC
Input Impedance	3.9 kΩ @ 24 VDC
ON Voltage Level	> 19 VDC
OFF Voltage Level	< 2 VDC
Minimum ON Current	4.5 mA
Maximum OFF Current	0.5 mA
OFF to ON Response	Typ 5 μs Max 20 μs
ON to OFF Response	Typ 5 μs Max 20 μs
Status Indicators	Logic Side (8 points, green LED)
Commons	2 (4 points/common) Isolated

C0-11DD1E-D Built-in I/O Specifications - Outputs	
Outputs per Module	6
Operating Voltage Range	5-27 VDC
Output Voltage Range	4-30 VDC
Maximum Output Current	0.1 A/point; C3: 0.4 A/common, C4: 0.2 A/common
Minimum Output Current	0.2 mA
Maximum Leakage Current	0.1 mA @ 30.0 VDC
On Voltage Drop	0.5 VDC @ 0.1 A
Maximum Inrush Current	150 mA for 10 ms
OFF to ON Response	Max. 0.5 ms
ON to OFF Response	Max. 0.5 ms
Status Indicators	Logic Side (6 points, red LED)
Commons	2 (4 points/com & 2 points/com)
External DC Power Required	20-28 VDC Maximum @ 60 mA (All Points On)

General Specifications	
Current Consumption at 24VDC	140 mA
Terminal Block Replacement Part No.	C0-16TB
Weight	5.0 oz (140 g)



ZILink Pre-Wired PLC Connection Cables and Modules

ZL-RTB20 20-pin feed-through connector module



20-pin connector cable
 ZL-C0-CBL20 (0.5 m length)
 ZL-C0-CBL20-1 (1.0 m length)
 ZL-C0-CBL20-2 (2.0 m length)

