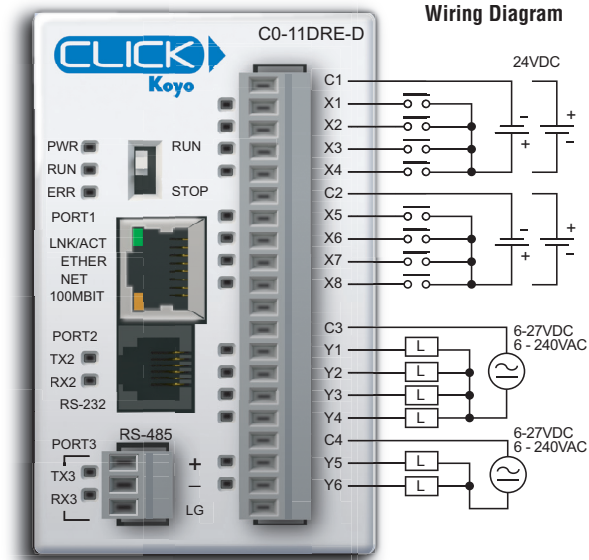


Ethernet Standard PLC

C0-11DRE-D

8 DC Input/6 Relay Output Micro PLC

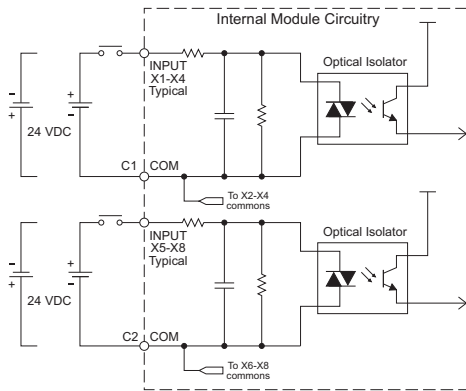


NOTE: When using Ethernet Standard PLCs, you must use CLICK programming software version V2.00 or later.

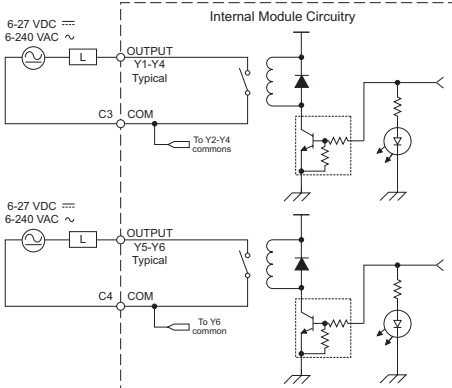
C0-11DRE-D Built-in I/O Specifications - Inputs	
Inputs per Module	8 (Sink/Source)
Operating Voltage Range	24 VDC
Input Voltage Range	21.6 - 26.4 VDC
Input Current	Typ 6.5 mA @ 24 VDC
Maximum Input Current	7.0 mA @ 26.4 VDC
Input Impedance	3.9 kΩ @ 24 VDC
ON Voltage Level	> 19 VDC
OFF Voltage Level	< 2 VDC
Minimum ON Current	4.5 mA
Maximum OFF Current	0.5 mA
OFF to ON Response	Typ 5 μs Max 20 μs
ON to OFF Response	Typ 5 μs Max 20 μs
Status Indicators	Logic Side (8 points, green LED)
Commons	2 (4 points/common) Isolated

C0-11DRE-D Built-in I/O Specifications - Outputs	
Outputs per Module	6
Operating Voltage Range	6-240 VAC (47-63 Hz), 6-27 VDC
Output Voltage Range	5-264 VAC (47-63 Hz), 5-30 VDC
Output Type	Relay, form A (SPST)
Maximum Current	1 A/point; C3: 4 A/common, C4: 2 A/common
Minimum Load Current	5 mA @ 5 VDC
Maximum Inrush Current	3 A for 10 ms
OFF to ON Response	< 15 ms
ON to OFF Response	< 15 ms
Status Indicators	Logic Side (6 points, red LED)
Commons	2 (4 points/com & 2 points/com) Isolated

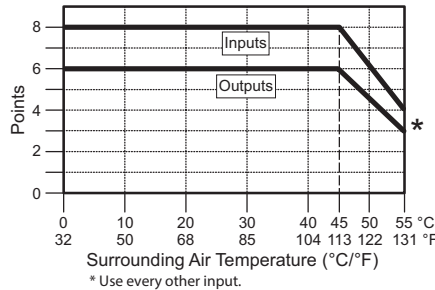
Equivalent Input Circuit



Equivalent Output Circuit



C0-11DRE-D Temperature Derating Chart



General Specifications	
Current Consumption at 24VDC	140 mA
Terminal Block Replacement Part No.	C0-16TB
Weight	5.6 oz (160 g)

Typical Relay Life (Operations) at Room Temperature		
Voltage & Load Type	Relay Life	
30 VDC, 1A Resistive	300,000 cycles	
30 VDC, 1A Solenoid	50,000 cycles	
250 VAC, 1A Resistive	500,000 cycles	
250 VAC, 1A Solenoid	200,000 cycles	
ON to OFF = 1 cycle		

ZIPLink Pre-Wired PLC Connection Cables and Modules for CLICK PLC

ZL-RTB20
20-pin feed-through connector module



20-pin connector cable
ZL-C0-CBL20 (0.5 m length)
ZL-C0-CBL20-1 (1.0 m length)
ZL-C0-CBL20-2 (2.0 m length)

