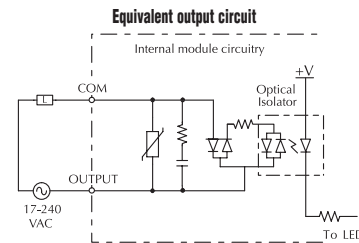
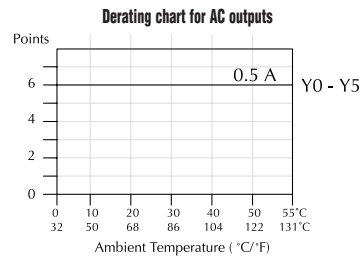
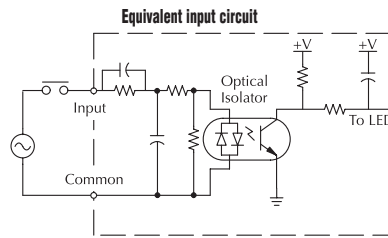
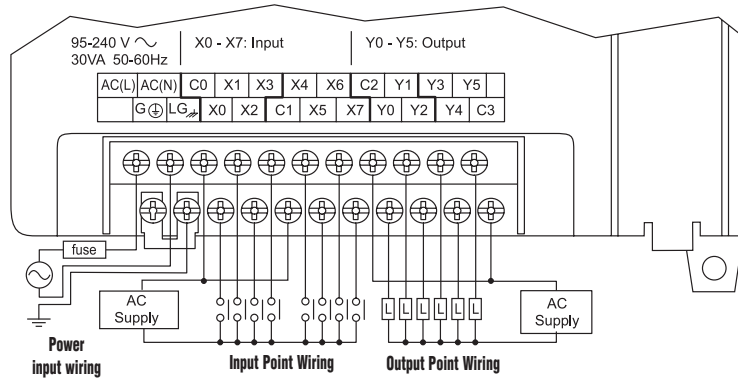


DL05 I/O Specifications

D0-05AA

Wiring diagram and specifications

D0-05AA Specifications			
AC Power Supply Specifications	Voltage Range	95-240VAC (30VA)	
	Number of Input Pts.	8	
	Number of Commons	2 (isolated)	
	Input Voltage Range	90-120VAC	
	Frequency Range	47-63Hz	
	Input Current	8mA @ 100 VAC at 50 Hz 10mA @ 100 VAC at 60Hz	
	AC Input Specifications	On Current/Voltage Level	>6mA/75VAC
		OFF Current/Voltage Level	<2mA/20VAC
		OFF to ON Response	<40ms
		ON to OFF Response	<40ms
Fuses		None	
AC Output Specifications		Number of Output Points	6
		Number of Commons	2 (isolated)
		Output Voltage Range	17-240VAC 47-63Hz
		Peak Voltage	264VAC
		ON Voltage Drop	1.5 VAC>50mA 4.0VAC<50mA
	Maximum Current	0.5A/pt 1.5A/com-mon	
	Maximum Leakage Current	4mA at 264VAC	
	Maximum Inrush Current	10A for 10ms	
	Minimum Load	10mA	
	OFF to ON Response	1ms	
	ON to OFF Response	1ms + 1/2 cycle	
	Fuses	None (external recommended)	



PLC Overview

DL05/06 PLC

DL105 PLC

DL205 PLC

DL305 PLC

DL405 PLC

Field I/O

Software

C-more HMI's

Other HMI

AC Drives

Motors

Steppers/Servos

Motor Controls

Proximity Sensors

Photo Sensors

Limit Switches

Encoders

Pushbuttons/Lights

Process

Relays/Timers

Comm.

TB's & Wiring

Power

Enclosures

Appendix

Part Index