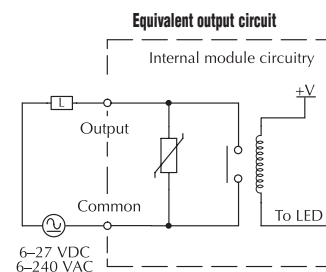
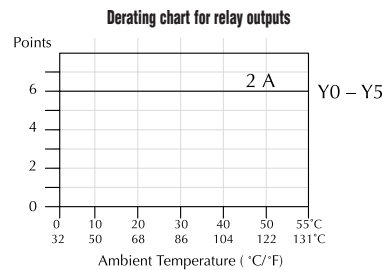
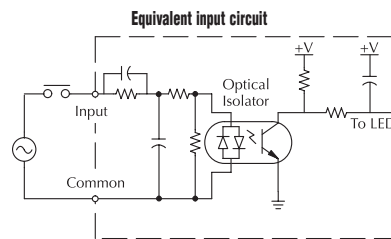
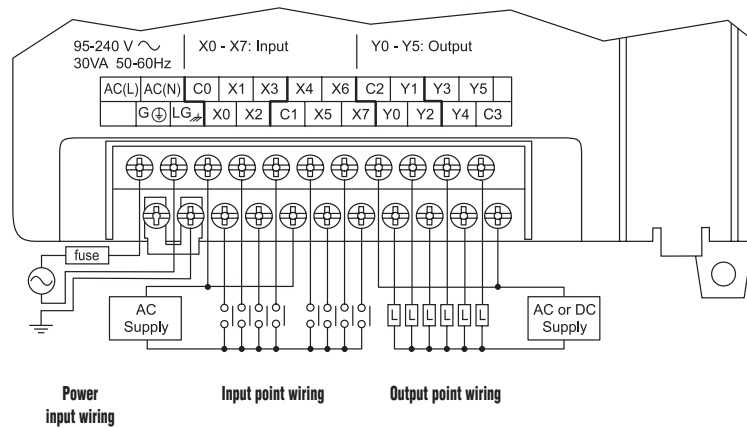


DL05 I/O Specifications

D0-05AR

Wiring diagram and specifications

D0-05AR Specifications			
AC Power Supply Specifications	Voltage Range	95-240VAC (30VA)	
	Number of Input Pts.	8	
	Number of Commons	2 (isolated)	
	Input Voltage Range	90-120VAC	
	Frequency Range	47-63Hz	
	AC Input Specifications	Input Current	8mA @ 100 VAC at 50 Hz 10mA @ 100 VAC at 60Hz
		On Current/Voltage Level	>6mA/75VAC
		OFF Current/Voltage Level	<2mA/20VAC
		OFF to ON Response	<40ms
		ON to OFF Response	<40ms
Fuses	None		
Relay Output Specifications	Number of Output Points	6	
	Number of Commons	2 (isolated)	
	Output Voltage Range	6-240VAC, 47-63Hz 6-27VDC	
	Maximum Voltage	264VAC, 30VDC	
	Maximum Current	2A/point 6A/common	
	Maximum Leakage Current	0.1mA @ 246VAC	
	Smallest Recommended Load	5mA @ 5VDC	
	OFF to ON Response	<15ms	
	ON to OFF Response	<10ms	
	Status Indicators	Logic side	
	Fuses	None (external recommended)	



Typical Relay Life (Operations) at Room Temperature

Voltage and Type of Load	Load Current	
	1A	2A
24 VDC Resistive	600K	270K
24 VDC Solenoid	150K	60K
110 VAC Resistive	900K	350K
110 VAC Solenoid	350K	150K
220 VAC Resistive	600K	250K
220 VAC Solenoid	200K	100K