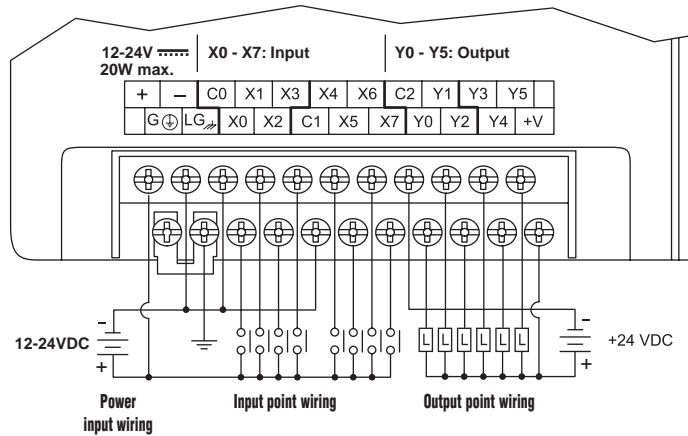


DL05 I/O Specifications

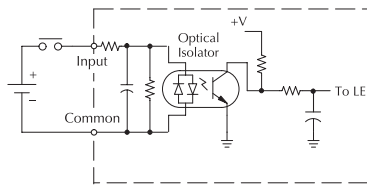
D0-05DD-D

Wiring diagram and specifications

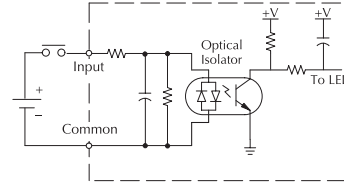
D0-05DD-D Specifications		
DC Power Supply Specifications	Voltage Range	12-24VDC 20W max.
	Number of Input Pts.	8 (sink/source)
	Number of Commons	2 (isolated)
	Input Voltage Range	12-24VDC
	Input Impedance	(X0-X2) 1.8K @ 12-24VDC (X3-X7) 2.8K @ 12-24VDC
	On Current/Voltage Level	>5mA/10VDC
	OFF Current/Voltage Level	<0.5mA/<2VDC
	Response Time	X0-X2 X3-X7
	OFF to ON Response	<100µs <8ms
	ON to OFF Response	<100µs <8ms
DC Input Specifications	Fuses	None
	Number of Output Pts.	6 (sinking)
	Number of Commons	1
	Output Voltage Range	6-27VDC
	Peak Voltage	50VDC
	Max. Frequency (Y0, Y1)	7kHz
	ON Voltage Drop	0.5VDC @ 1A
	Maximum Current	0.5A / point (Y0-Y1)* 1.0A / point (Y2-Y5)
	Maximum Leakage Current	15µ @ 30VDC
	Maximum Inrush Current	2A for 100ms 10A for 10ms
	OFF to ON Response	<10µ
	ON to OFF Response	<30µs (Y0-Y1) <60µs (Y2-Y5)
	External DC Power Required	20-28VDC 150mA max.
	Status Indicators	Logic side
	Fuses	None (external recommended)



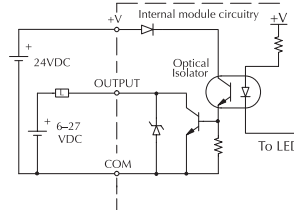
Equivalent input circuit, high-speed inputs (X0-X2)



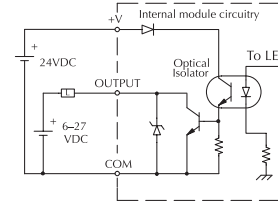
Equivalent input circuit, standard inputs (X3-X7)



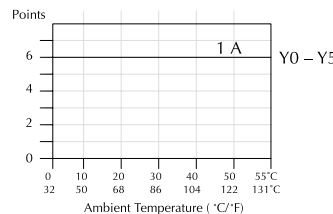
Equivalent output circuit pulse outputs (Y0-Y1)



Equivalent output circuit standard outputs (Y2-Y5)



Derating chart for DC outputs



*When output points Y0 and Y1 are not used in pulse mode, the maximum output current is 1.0A