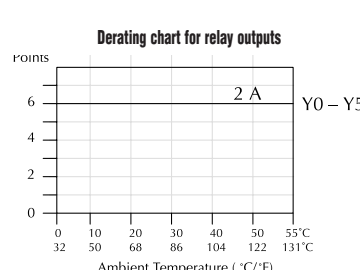
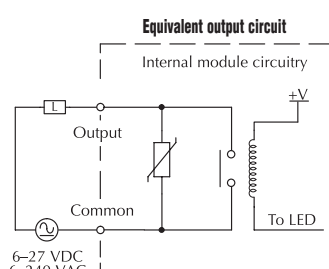
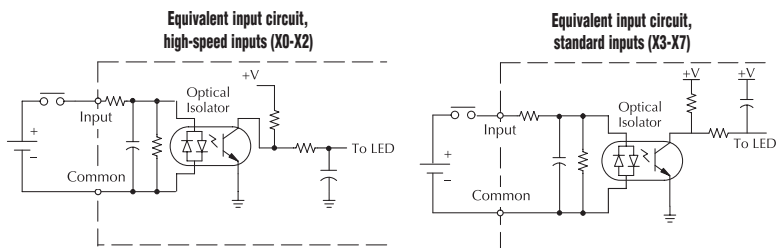
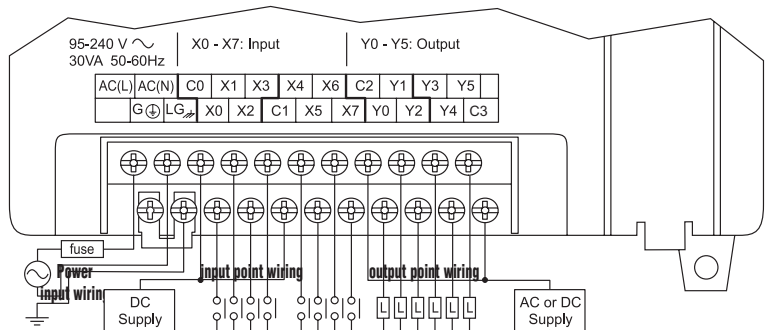


DL05 I/O Specifications

D0-05DR

Wiring diagram and specifications

D0-05DR Specifications		
AC Power Supply Specifications	Voltage Range	95-240VAC (30VA)
	Number of Input Pts.	8 (sink/source)
	Number of Commons	2 (isolated)
	Input Voltage Range	12-24VDC
	Input Impedance	(X0-X2) 1.8K @ 12-24VDC (X3-X7) 2.8K @ 12-24VDC
	On Current/Voltage Level	>5mA/10VDC
	OFF Current/Voltage Level	<0.5mA/<2VDC
	Response Time	X0-X2 X3-X7
	OFF to ON Response	<100µs <8ms
	ON to OFF Response	<100µs <8ms
DC Input Specifications	Fuses	None
	Number of Output Points	6
	Number of Commons	2 (isolated)
	Output Voltage Range	6-240VAC, 47-63Hz 6-27VDC
	Maximum Voltage	264VAC, 30VDC
	Maximum Current	2A/point 6A/common
	Maximum Leakage Current	0.1mA @ 246VAC
	Smallest Recommended Load	5mA @ 5VDC
	OFF to ON Response	<15ms
	ON to OFF Response	<10ms
Relay Output Specifications	Status Indicators	Logic side
	Fuses	None (external recommended)



Typical Relay Life (Operations) at Room Temperature		
Voltage and Type of Load	Load Current	
	1A	2A
24 VDC Resistive	600K	270K
24 VDC Solenoid	150K	60K
110 VAC Resistive	900K	350K
110 VAC Solenoid	350K	150K
220 VAC Resistive	600K	250K
220 VAC Solenoid	200K	100K