

# DL05/06 I/O Option Modules

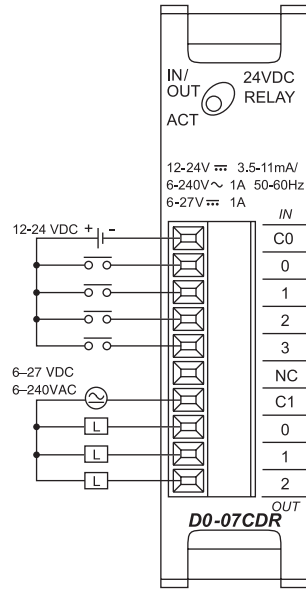
## D0-07CDR



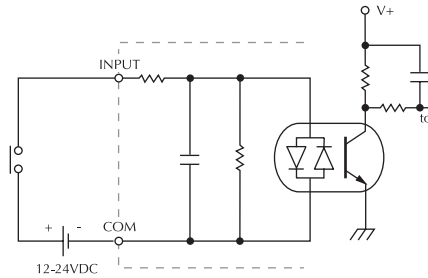
4-point DC input and  
3-point relay output module

D0-07CDR Input Specifications	
<b>Number of Inputs</b>	4 (sink/source)
<b>Input Voltage Range</b>	10.8-26.4VDC
<b>Peak Voltage</b>	30VDC
<b>Maximum Input Current</b>	11mA @ 26.4VDC
<b>Input Current</b>	Typical: 4mA @ 12VDC 8.5mA @ 24VDC
<b>Input Impedance</b>	2.8K @ 12-24VDC
<b>ON Voltage Level</b>	> 10.0VDC
<b>OFF Voltage Level</b>	< 2.0VDC
<b>Minimum ON Current</b>	3.5ms
<b>Maximum OFF Current</b>	0.5ms
<b>ON to OFF Response</b>	2-8ms, Typical 4ms
<b>OFF to ON Response</b>	2-8ms, Typical 4ms
<b>Commons</b>	1 (4 points/common)

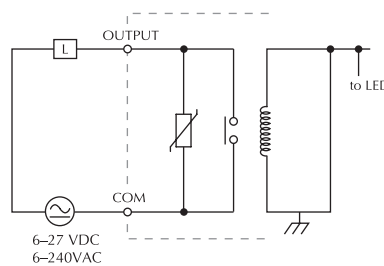
D0-07CDR Output Specifications	
<b>Number of Outputs</b>	3
<b>Output Voltage Range</b>	6-27VDC/6-240VAC
<b>Output Type</b>	Relay, form A (SPST)
<b>Peak Voltage</b>	30.0VDC/264VAC
<b>Maximum Current (resist.)</b>	1A/point, 4A/common
<b>Minimum Load Current</b>	5mA @ 5VDC
<b>Maximum Leakage Current</b>	0.1mA @ 264VAC
<b>On Voltage Drop</b>	N/A
<b>Maximum Inrush Current</b>	Output: 3A for 10ms Common: 10A for 10ms
<b>Off to On Response</b>	< 15ms
<b>On to Off Response</b>	< 10ms
<b>Status Indicators</b>	Module activity: one green LED
<b>Commons</b>	1 (3 points/common)
<b>Fuse</b>	No fuse
<b>Base Power Required (5V)</b>	Max. 200mA (all pts. on)



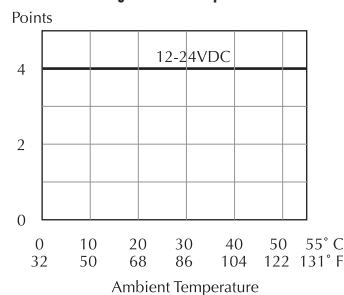
Equivalent input circuit



Equivalent output circuit



Derating chart for DC inputs



Derating chart for relay outputs

