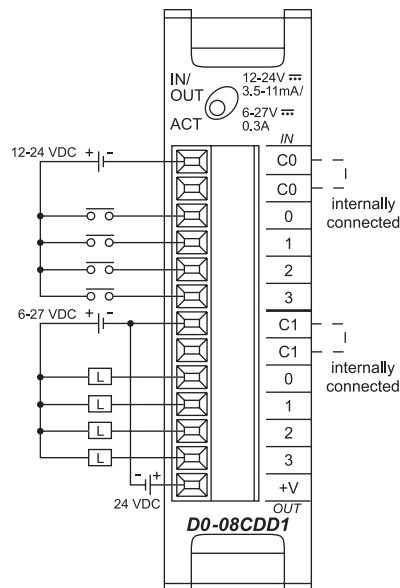


DL05/06 I/O Option Modules

D0-08CDD1 <--->

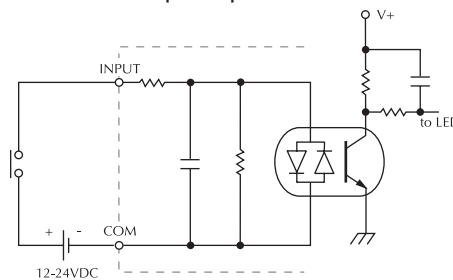
4-point DC input and 4-point DC output module

D0-08CDD1 Input Specifications	
Number of Inputs	4 (sink/source)
Input Voltage Range	10.8-26.4VDC
Peak Voltage	30.0VDC
Input Current	Typical: 4.0mA @ 12VDC 8.5mA @ 24VDC
Maximum Input Current	11mA @ 26.4VDC
Input Impedance	2.8kΩ @ 12-24VDC
On Voltage Level	> 10.0 VDC
Off Voltage Level	< 2.0 VDC
Minimum ON Current	3.5mA
Maximum OFF Current	0.5mA
Off to On Response	2-8ms, Typ. 4ms
On to Off Response	2-8ms, Typ. 4ms
Commons	1(4 pts/common) non-isolated

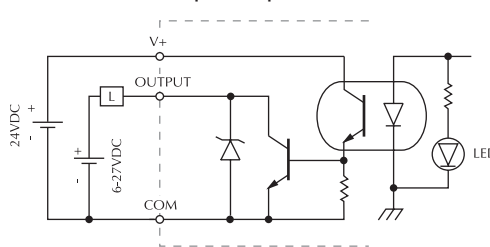


D0-08CDD1 Output Specifications	
Number of Outputs	4 (sinking)
Operating Voltage Range	6-27VDC
Output Voltage Range	5-30VDC
Peak Voltage	50.0VDC
Maximum Output Current	0.3A/point, 1.2A/common
Minimum Output Current	0.5mA
Maximum Leakage Current	1.5μA @ 30.0VDC
On Voltage Drop	0.5VDC @ 0.3A
Maximum Inrush Current	1A for 10ms
Off to On Response	< 10μs
On to Off Response	< 60μs
Status Indicators	Module activity: one green LED
Commons	1(4 pts/common) non-isolated
Fuse	No fuse
Base Power Required (5V)	Max. 200mA (all pts. on)
External DC Power Required (24V)	20-28VDC, max. 80mA (all pts. on)

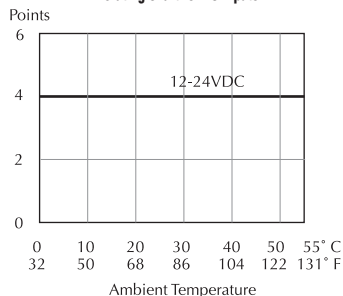
Equivalent input circuit



Equivalent output circuit



Derating chart for DC inputs



Derating chart for DC outputs

