

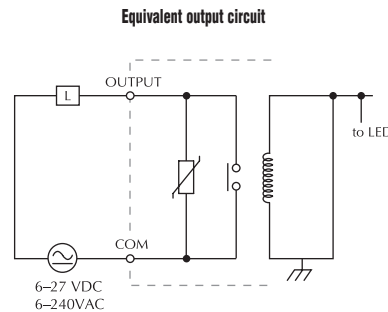
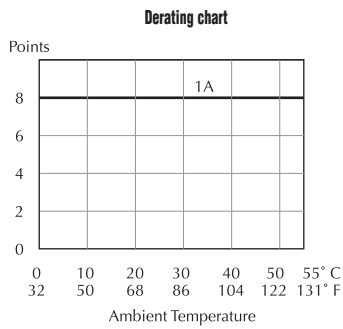
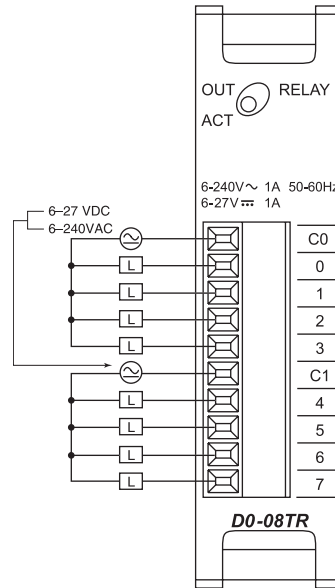
# DL05/06 I/O Option Modules

## D0-08TR



### 8-point relay output module

D0-07CDR Output Specifications	
<b>Number of Outputs</b>	8
<b>Output Voltage Range</b>	6-27VDC/6-240VAC
<b>Output Type</b>	Relay, form A (SPST)
<b>Peak Voltage</b>	30.0VDC/264VAC
<b>Maximum Current (resist.)</b>	1A/point, 4A/common
<b>Minimum Load Current</b>	5mA @ 5VDC
<b>Maximum Leakage Current</b>	0.1mA @ 264VAC
<b>On Voltage Drop</b>	N/A
<b>Maximum Inrush Current</b>	Output: 3A for 10ms Common: 10A for 10ms
<b>Off to On Response</b>	< 15ms
<b>On to Off Response</b>	< 10ms
<b>Status Indicators</b>	Module activity: one green LED
<b>Commons</b>	2 isolated (4 points/common)
<b>Fuse</b>	No fuse
<b>Base Power Required (5V)</b>	Max. 280mA (all pts. on)



Typical Relay Life (Operations) at Room Temperature	
Voltage and Type of Load	Load Current 1A
24 VDC Resistive	500K
24 VDC Solenoid	100K
110 VAC Resistive	500K
110 VAC Solenoid	200K
220 VAC Resistive	350K
220 VAC Solenoid	100K