

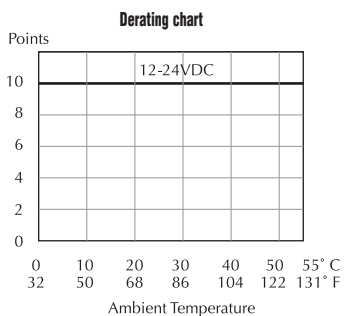
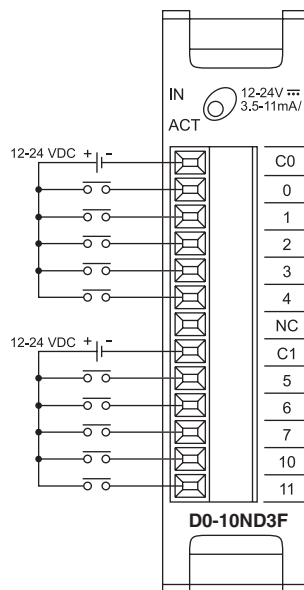
DL05/06 I/O Option Modules

D0-10ND3F

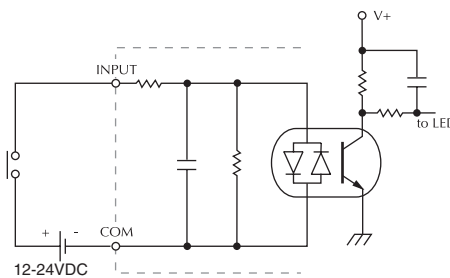


10-point DC fast input module

| D0-10ND3F Input Specifications | |
|---------------------------------|--|
| Number of Inputs | 10 (sink/source) |
| Input Voltage Range | 10.8-26.4 VDC |
| Peak Voltage | 30.0 VDC |
| Input Current | Typical: 4.0 mA @ 12 VDC 8.5 mA @ 24 VDC |
| Maximum Input Current | 11 mA @ 26.4 VDC |
| Input Impedance | 2.8 KΩ @ 12-24 VDC |
| On Voltage Level | > 10.0 VDC |
| Off Voltage Level | < 2.0 VDC |
| Minimum ON Current | 3.5 mA |
| Minimum OFF Current | 0.5 mA |
| Off to On Response | 2 ms, Typ. 1 ms |
| On to Off Response | 2 ms, Typ. 1 ms |
| Status Indicators | Module activity: one green LED |
| Commons | 2 (5 pts/common) isolated |
| Fuse | No fuse |
| Base Power Required (5V) | Typical. 35 mA (all pts. on) |



Equivalent input circuit



NOTE: The DL05 CPU's discrete feature for this module requires **DirectSOFT** Version 3.0c (or later) and firmware version 4.70 (or later). The DL06 requires **DirectSOFT** version V4.0, build 16 (or later) and firmware version 1.50 (or later). See our website for more information: www.automationdirect.com.