

# Relay Output Modules

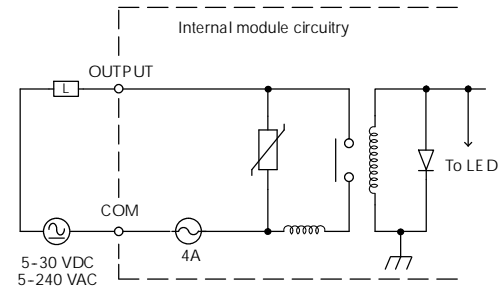
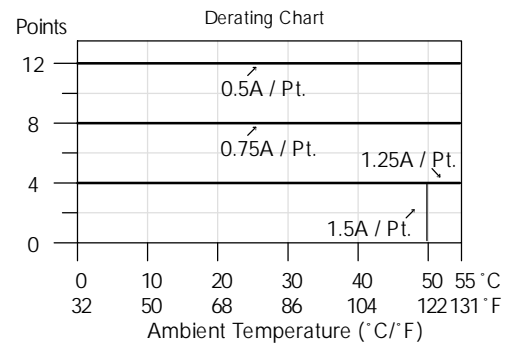
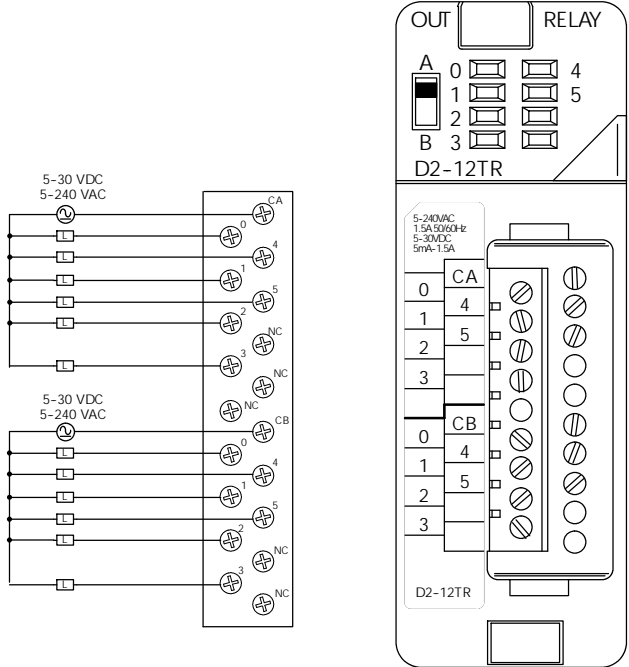
D2-12TR Relay Output	
<b>Outputs per Module</b>	12
<b>Outputs Points Consumed</b>	16 (four unused, see chart below)
<b>Commons per Module</b>	2 (6-pts. per common)
<b>Output Type</b>	Relay, form A (SPST)
<b>Operating Voltage</b>	5-30 VDC; 5-240 VAC
<b>Peak Voltage</b>	30 VDC; 264 VAC
<b>ON Voltage Drop</b>	N/A
<b>AC Frequency</b>	47 to 60 Hz
<b>Minimum Load Current</b>	5mA @ 5VDC
<b>Max Load Current (resistive)</b>	1.5 A/point; Max of 3A/common
<b>Max Leakage Current</b>	0.1 mA @ 265 VAC
<b>Max Inrush Current</b>	Output: 3A for 10ms Common: 10A for 10ms
<b>Base Power Required 5VDC</b>	450 mA
<b>OFF to ON Response</b>	10 ms
<b>ON to OFF Response</b>	10 ms
<b>Terminal Type (included)</b>	Removable; D2-16IOCON
<b>Status Indicator</b>	Logic side
<b>Weight</b>	4.6 oz. (130g)
<b>Fuses</b>	(2) 4A slow blow, replaceable Order D2-FUSE-4 (5 per pack)

Typical Relay Life (Operations)			
Voltage/Load	Current	Closures	
24 VDC Resistive	1A	500k	
24 VDC Solenoid	1A	100k	
110 VDC Resistive	1A	500k	
110 VDC Solenoid	1A	200k	
220 VAC Resistive	1A	350k	
220 VAC Solenoid	1A	100k	

Addresses Used			
Points	Used?	Points	Used?
Yn+0	Yes	Yn+10	Yes
Yn+1	Yes	Yn+11	Yes
Yn+2	Yes	Yn+12	Yes
Yn+3	Yes	Yn+13	Yes
Yn+4	Yes	Yn+14	Yes
Yn+5	Yes	Yn+15	Yes
Yn+6	No	Yn+16	No
Yn+7	No	Yn+17	No

n is the starting address

See the Terminal Blocks and Wiring section for part numbers of ZIPLink cables and terminal blocks compatible with this module.



- PLC Overview
- DL05/06 PLC
- DL105 PLC
- DL205 PLC**
- DL305 PLC
- DL405 PLC
- Field I/O
- Software
- C-more HMIs
- Other HMI
- AC Drives
- Motors
- Steppers/Servos
- Motor Controls
- Proximity Sensors
- Photo Sensors
- Limit Switches
- Encoders
- Current Sensors
- Pushbuttons/Lights
- Process
- Relays/Timers
- Comm.
- TB's & Wiring
- Power
- Circuit Protection
- Enclosures
- Appendix
- Part Index