

DC Input Modules

D2-32ND3 DC Input	
Inputs per Module	32 (sink/source)
Commons per Module	4 isolated (8 I/O terminal points / com)
Input Voltage Range	20-28 VDC
Peak Voltage	30 VDC
ON Voltage Level	19 VDC minimum
OFF Voltage Level	7 VDC maximum
AC Frequency	N/A
Input Impedance	4.8 kΩ
Input Current	8.0 mA @ 24 VDC
Minimum ON Current	3.5 mA
Maximum OFF Current	1.5 mA
Base Power Required 5VDC	25 mA
OFF to ON Response	3 to 9 ms
ON to OFF Response	3 to 9 ms
Terminal Type (not included)	Removable 40-pin Connector ¹
Status Indicator	Module Activity LED
Weight	2.1 oz. (60 g)

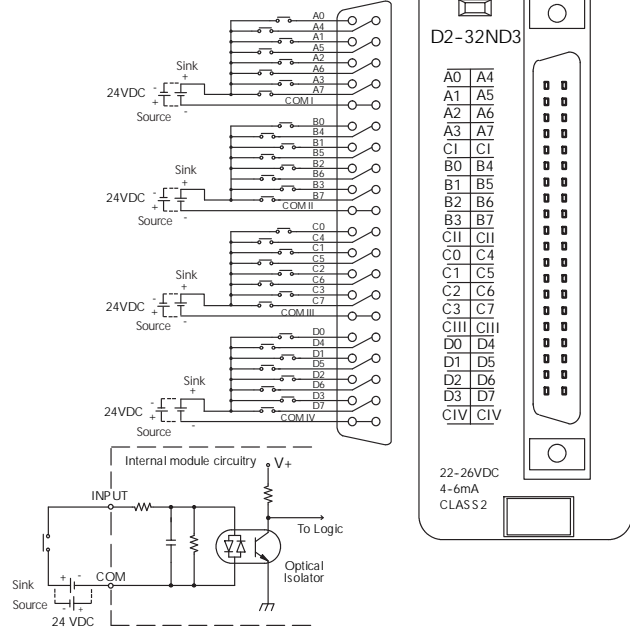
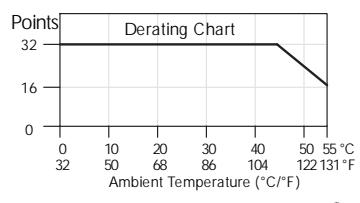
¹ Connector sold separately.
See Terminal Blocks and Wiring for wiring options.

See the Terminal Blocks and Wiring section for part numbers of ZIPLink cables and terminal blocks compatible with this module.

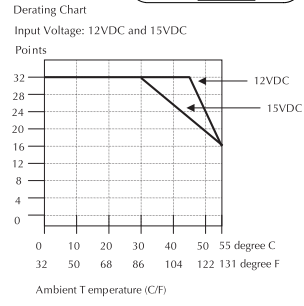
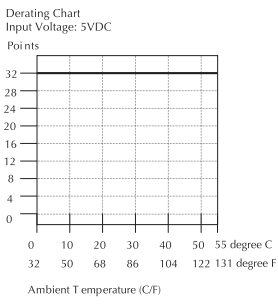
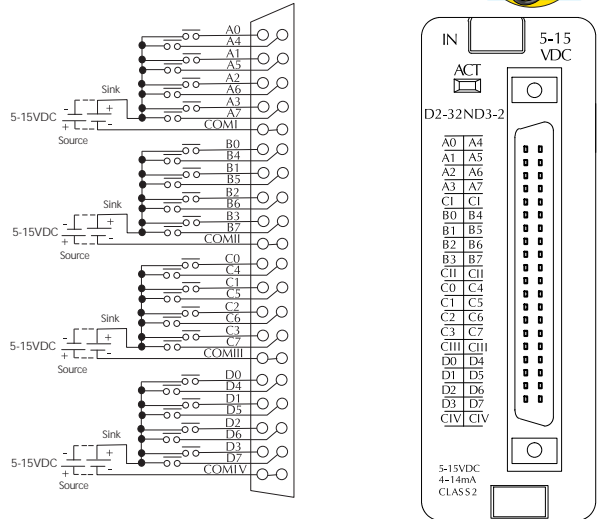
D2-32ND3-2 DC Input	
Inputs per Module	32 (Sink/Source)
Commons per Module	4 isolated (8 I/O terminal points / com)
Input Voltage Range	4.50 to 15.6 VDC min. to max.
Peak Voltage	16 VDC
ON Voltage Level	4 VDC minimum
OFF Voltage Level	2 VDC maximum
AC Frequency	N/A
Input Impedance	1.0 kΩ @ 5-15 VDC
Input Current	4 mA @ 5 VDC 11 mA @ 12 VDC 14 mA @ 15 VDC
Maximum Input Current	16 mA @ 15.6 VDC
Minimum ON Current	3 mA
Maximum OFF Current	0.5 mA
Base Power Required 5VDC	25 mA
OFF to ON Response	3 to 9 ms
ON to OFF Response	3 to 9 ms
Terminal Type (not included)	Removable 40-pin connector ¹
Status Indicator	Module activity LED
Weight	2.1 oz (60 g)

¹ Connector sold separately.
See Terminal Blocks and Wiring for wiring options.

See the Terminal Blocks and Wiring section for part numbers of ZIPLink cables and terminal blocks compatible with this module.



For "Sinking and Sourcing Concepts", see the Appendix section.



For "Sinking and Sourcing Concepts" see the Appendix section.

- PLC Overview
- DL05/06 PLC
- DL105 PLC
- DL205 PLC**
- DL305 PLC
- DL405 PLC
- Field I/O
- Software
- C-more HMIs
- Other HMI
- AC Drives
- Motors
- Steppers/Servos
- Motor Controls
- Proximity Sensors
- Photo Sensors
- Limit Switches
- Encoders
- Current Sensors
- Pushbuttons/Lights
- Process
- Relays/Timers
- Comm.
- TB's & Wiring
- Power
- Circuit Protection
- Enclosures
- Appendix
- Part Index