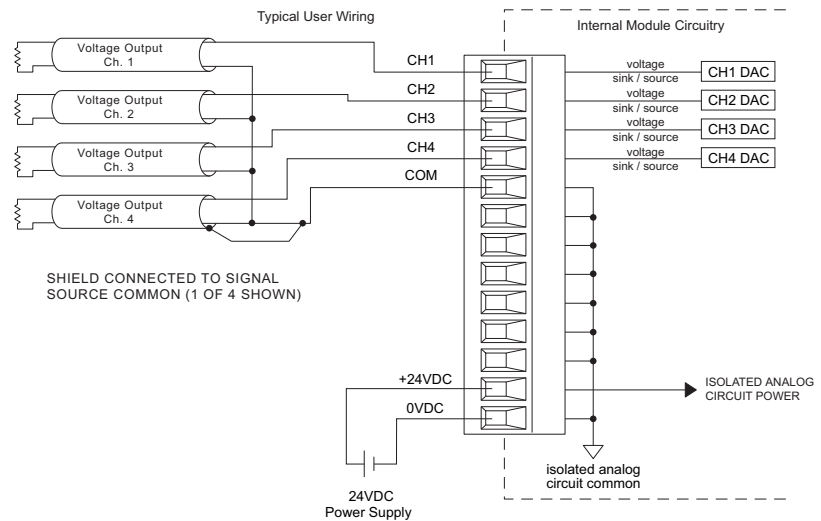
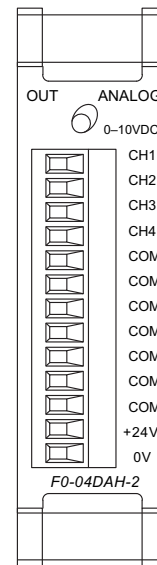


# DL05/06 Option Modules

## F0-04DAH-2 <--->

4-channel analog voltage output module, high resolution

Output Specifications	
<b>Number of Channels</b>	4
<b>Output Range</b>	0-10VDC
<b>Resolution</b>	16-bit, 152µV/bit
<b>Output Type</b>	Voltage sourcing/sinking at 5mA max.
<b>PLC Data Format</b>	16-bit, Unsigned Int., 0-FFFF (binary) or 0-65535 (BCD) (Both require 2 words of V-memory)
<b>Output value in program mode</b>	0V
<b>Output Impedance</b>	0.5 Ohms typical
<b>Load Impedance</b>	>2000 Ohms
<b>Maximum Capacitive Load</b>	0.01 µF maximum
<b>Allowed load type</b>	Grounded
<b>Maximum Inaccuracy</b>	0.2% of range (including temperature changes)
<b>Maximum Full Scale Calibration Error (including offset error)</b>	±.025% of range max.
<b>Maximum Offset Calibration Error</b>	±.025% of range max.
<b>Accuracy vs. Temperature</b>	±50 ppm/ °C max. full scale calibration change
<b>Maximum Crosstalk</b>	±10 counts
<b>Linearity Error (End to End)</b>	±16 count max. (±0.025% of full scale) Monotonic with no missing codes
<b>Output Stability and Repeatability</b>	±10 counts after 10 min. warm-up typical
<b>Output Ripple</b>	.05% of Full Scale
<b>Output Settling Time</b>	.5 ms max., 5 µs min. (full scale change)
<b>All Channel Update Rate</b>	100µs
<b>Maximum Continuous Overload</b>	Outputs current limited to 40mA typical. A continuous short circuit will damage the output.
<b>Type of Output Protection</b>	24VDC Peak Output Voltage (capacitor transient voltage suppressor)
<b>Output signal at power-up and power-down</b>	0V
<b>External 24VDC Power Required</b>	30mA
<b>Base Power Required (5.0V)</b>	25mA



CPU	Firmware Required	DirectSOFT Required
<b>DL05</b>	Version 5.20 or later	DirectSOFT32 Version 3.0c or later
<b>DL06</b>	Version 2.30 or later	DirectSOFT32 Version 4.0, Build 16 or later