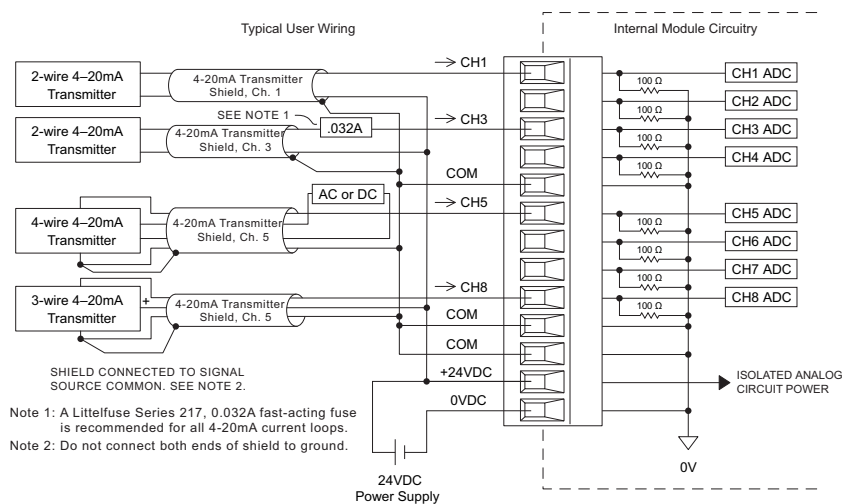
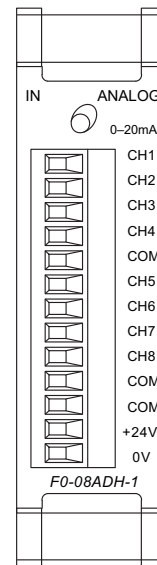


DL05/06 Option Modules

F0-08ADH-1 <--->

8-channel analog mA input module, high resolution

Input Specifications	
Number of Channels	8
Input Range	0-20mA
Resolution	16-bit, .305µA/bit
Input Type	Single Ended (one common)
Maximum Cont. Overload	±31mA
Input Impedance	100 ohms, 1/10W, current input
Filter Characteristics	Low pass, -3dB @ 60Hz
PLC Data Format	16-bit, Unsigned Int., 0-FFFF (binary) or 0-65535 (BCD) (Both require 2 words of V-memory)
Sample Duration Time	10.2ms (time to 95% of full step change / channel)
All Channel Update Rate	81.6ms (10.2ms x 8 ch.)
Open Circuit Detection Time	Zero reading within 1s
Conversion Method	Successive Approximation
Accuracy vs. Temperature	±50PPM/°C Max.
Maximum Inaccuracy	0.2% of range (including temp. changes)
Linearity Error (End to End)	±10 count max.; Monotonic with no missing codes
Input Stability and Repeatability	±10 count max.
Full Scale Calibration Error	±10 count max.
Offset Calibration Error	±10 count max.
Maximum Crosstalk at DC, 50 Hz and 60 Hz	±10 count max.
External 24VDC Power Required	25mA
Base Power Required (5.0V)	25mA
Recommended Fuse	Littelfuse Series 217, .032A fuse



CPU	Firmware Required	DirectSOFT Required
DL05	Version 5.20 or later	DirectSOFT32 Version 3.0c or later
DL06	Version 2.30 or later	DirectSOFT32 Version 4.0, Build 16 or later