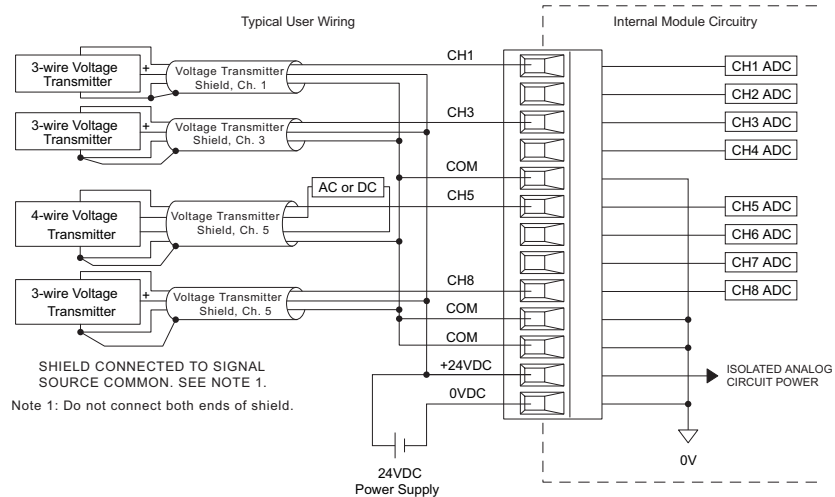
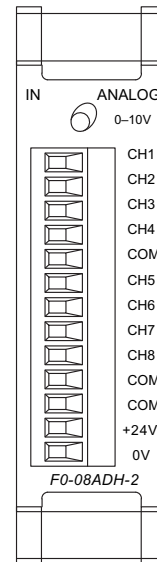


DL05/06 I/O Option Modules

F0-08ADH-2 <--->

8-channel analog voltage input module, high resolution

Input Specifications	
Number of Channels	8
Input Range	0-5VDC or 0-10VDC (Jumper select)
Resolution	16-bit, 76 μ V/bit or 152 μ V/bit
Input Type	Single Ended (one common)
Maximum Cont. Overload	\pm 100V
Input Impedance	>200k ohms
Filter Characteristics	Low pass, -3dB @ 60Hz
PLC Data Format	16-bit, Unsigned Int., 0-FFFF (binary) or 0-65535 (BCD) (Both require 2 words of V-memory)
Sample Duration Time	10.2 ms
All Channel Update Rate	81.6 ms
Conversion Method	Successive Approximation
Accuracy vs. Temperature	\pm 50PPM / °C Maximum
Maximum Inaccuracy	0.2% of range (including temp. drift)
Linearity Error (End to End)	\pm 10 count max. Monotonic with no missing codes
Input Stability and Repeatability	\pm 10 count (after 10 min. warm up)
Full Scale Calibration Error (including Offset)	\pm 10 counts max.
Offset Calibration Error	\pm 10 count max.
Maximum Crosstalk at DC, 50 Hz and 60 Hz	\pm 10 count max.
External 24VDC Power Required	25mA
Base Power Required (5.0V)	25mA



CPU	Firmware Required	DirectSOFT Required
DL05	Version 5.20 or later	DirectSOFT32 Version 3.0c or later
DL06	Version 2.30 or later	DirectSOFT32 Version 4.0, Build 16 or later