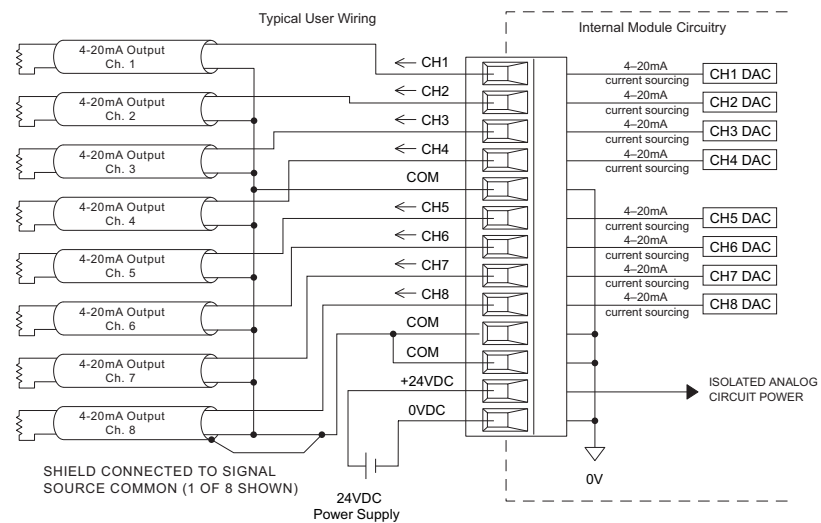
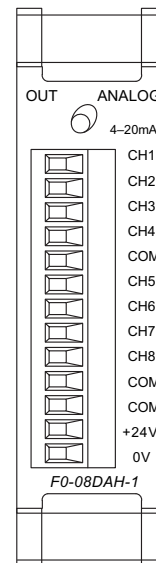


DL05/06 I/O Option Modules

F0-08DAH-1 <--->

8-channel analog mA output module, high resolution

Output Specifications	
Number of Channels	8
Output Range	4-20mA
Resolution	16-bit, .244µA/bit
Output Type	Current sourcing at 20mA max.
PLC Data Format	16-bit, Unsigned Int., 0-FFFF (binary) or 0-65535 (BCD) (Both require 2 words of V-memory)
Output value in program mode	4mA
Load Impedance	250-750 Ohms
Maximum Inductive Load	1 mH
Allowed load type	Grounded
Maximum Inaccuracy	0.2% of range
Maximum Full Scale Calibration Error (not including offset error)	±0.25% of range maximum
Maximum Offset Calibration Error	±0.25% of range maximum
Accuracy vs. Temperature	±50 ppm/ °C maximum full scale calibration change
Maximum Crosstalk	±10 counts
Linearity Error (End to End)	±16 count maximum (±0.025% of full scale) Monotonic with no missing codes
Output Stability and Repeatability	±10 counts after 10 min. warm-up typical
Output Ripple	.05% of Full Scale
Output Settling Time	.5 ms max., 5 µs min. (full scale change)
All Channel Update Rate	100µs
Maximum Continuous Overload	Outputs open circuit protected
Type of Output Protection	Electronically current limited to 20mA or less
Output signal at power-up and power-down	4mA
External 24VDC Power Required	220mA
Base Power Required (5.0V)	25mA



CPU	Firmware Required	DirectSOFT Required
DL05	Version 5.20 or later	DirectSOFT32 Version 3.0c or later
DL06	Version 2.30 or later	DirectSOFT32 Version 4.0, Build 16 or later