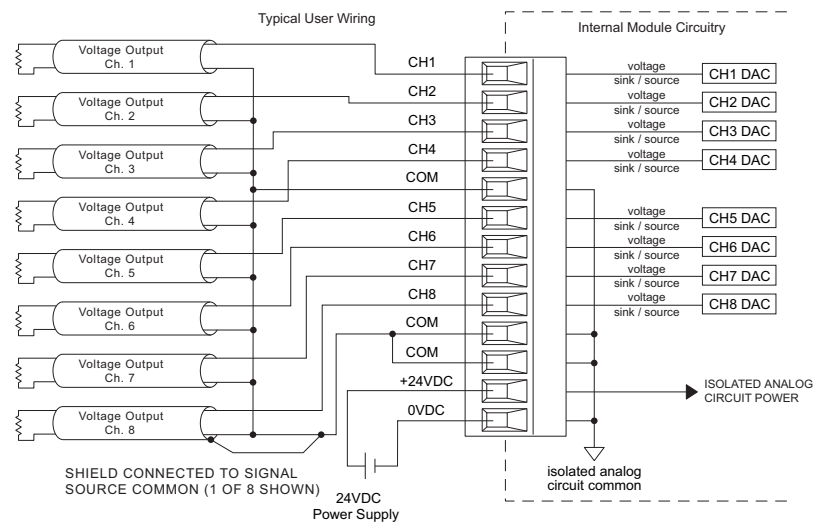
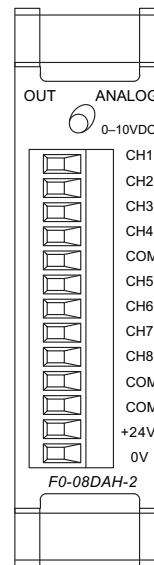


DL05/06 I/O Option Modules

F0-08DAH-2 <--->

8-channel analog voltage output module, high resolution

Output Specifications	
Number of Channels	8
Output Range	0-10VDC
Resolution	16-bit, 152µV/bit
Output Type	Voltage sourcing/sinking at 5mA max.
PLC Data Format	16-bit, Unsigned Int., 0-FFFF (binary) or 0-65535 (BCD) (Both require 2 words of V-memory)
Output value in program mode	0V
Output Impedance	0.5 Ohms typical
Load Impedance	>2000 Ohms
Maximum Capacitive Load	0.01 µF maximum
Allowed load type	Grounded
Maximum Inaccuracy	0.2% of range (including temperature changes)
Maximum Full Scale Calibration Error (including offset error)	±0.25% of range maximum
Maximum Offset Calibration Error	±0.25% of range maximum
Accuracy vs. Temperature	±50 ppm/ °C maximum full scale calibration change
Maximum Crosstalk	10 counts
Linearity Error (End to End)	±16 count maximum (±0.025% of full scale) Monotonic with no missing codes
Output Stability and Repeatability	±10 counts after 10 min. warm-up typical
Output Ripple	.05% of Full Scale
Output Settling Time	.5 ms max., 5 µs min. (full scale change)
All Channel Update Rate	100µs
Maximum Continuous Overload	Outputs current limited to 40mA typical. A continuous short circuit will damage the output.
Type of Output Protection	24VDC Peak Output Voltage (capacitor transient voltage suppressor)
Output signal at power-up and power-down	0V
External 24VDC Power Required	30mA
Base Power Required (5.0V)	25mA



CPU	Firmware Required	DirectSOFT Required
DL05	Version 5.20 or later	DirectSOFT32 Version 3.0c or later
DL06	Version 2.30 or later	DirectSOFT32 Version 4.0, Build 16 or later