

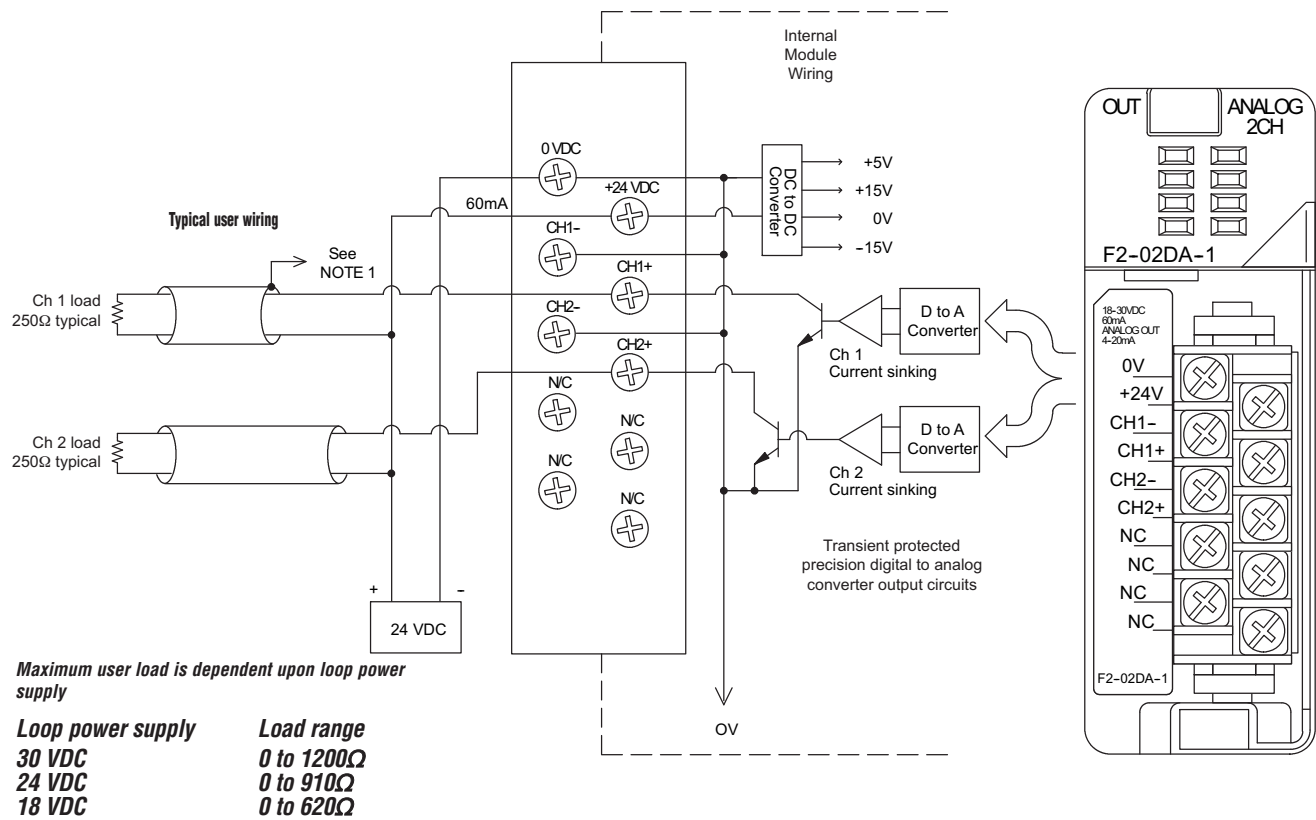
Analog Current Output Modules

F2-02DA-1 2-Channel 4-20 mA Analog Output	
This module requires a 24 VDC user power supply for operation. See the F2-02DA-1L on the next page if you want to use a 12 VDC supply. All other specifications are the same.	
Number of Channels	2
Output Ranges	4 to 20 mA
Resolution	12 bit (1 in 4096)
Output Type	Single ended, one common
Digital Output Points Required	16 (Y) output points (12 binary data bits, 2 channel ID bits)
Maximum Loop Supply	30 VDC
Peak Output Voltage	40 VDC (clamped by transient voltage suppressor)
Load Impedance	0Ω minimum
Maximum Load/Power Supply	620 Ω/18 V, 910 Ω/24 V, 1200 Ω/ 30V
PLC Update Rate	1 channel per scan maximum D2-230 CPU 2 channels per scan maximum (D2-240, D2-250(-1) and D2-260 CPUs)
Linearity Error (end to end)	±1 count (±0.025% of full scale) maximum
Conversion Settling Time	100 μs maximum (full scale change)
Full Scale Calibration Error (offset error included)	± 5 counts max., 20 mA @77°F (25°C)
Offset Calibration Error	± 3 counts max., 4 mA @ 77°F (25°C)

Accuracy vs. Temperature	±50 ppm/°C full scale calibration change (including maximum offset change of 2 counts)
Maximum Inaccuracy	0.1% @ 77°F (25°C) 0.3% @ 32° to 140°F (0° to 60°C)
Base Power Required 5VDC	40 mA
External Power Supply	18 to 30 VDC, 60 mA. (add 20 mA for each current loop used)
Operating Temperature	32° to 140°F (0° to 60°C)
Storage Temperature	-4 to 158°F (-20 to 70°C)
Relative Humidity	5% to 95% (non-condensing)
Environmental Air	No corrosive gases permitted
Vibration	MIL STD 810C 514.2
Shock	MIL STD 810C 516.2
Noise Immunity	NEMA ICS3-304
Terminal Type (included)	Removable; D2-8IOCON

One count in the specification table is equal to one least significant bit of the analog data value (1 in 4096).

NOTE 1: Shields should be connected to the 0V of the module or the 0V of the R/S.
NOTE 2: Unused current outputs should remain open (no connections) for minimum power consumption.



- PLC Overview
- DL05/06 PLC
- DL105 PLC
- DL205 PLC**
- DL305 PLC
- DL405 PLC
- Field I/O
- Software
- C-more HMIs
- Other HMI
- AC Drives
- Motors
- Steppers/Servos
- Motor Controls
- Proximity Sensors
- Photo Sensors
- Limit Switches
- Encoders
- Current Sensors
- Pushbuttons/Lights
- Process
- Relays/Timers
- Comm.
- TB's & Wiring
- Power
- Circuit Protection
- Enclosures
- Appendix
- Part Index