

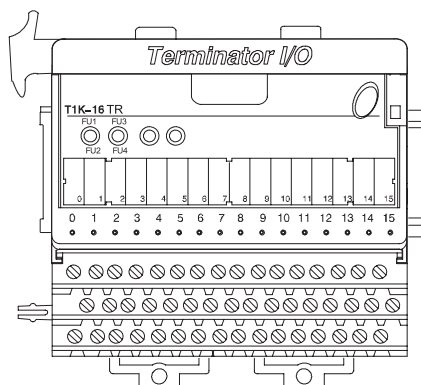
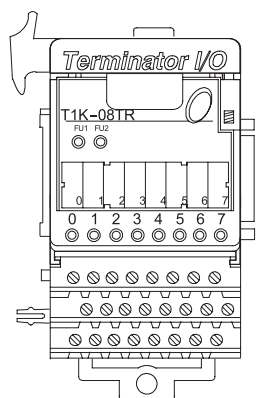
# Relay Output Modules

## T1K-08TR T1K-16TR

### 8-point and 16-point, relay output modules

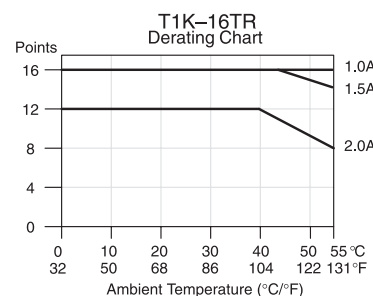
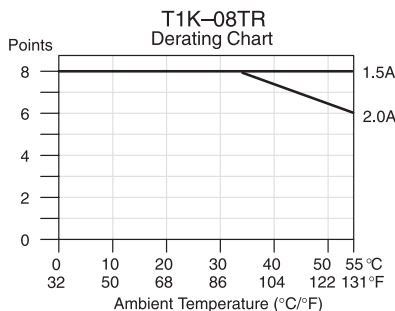
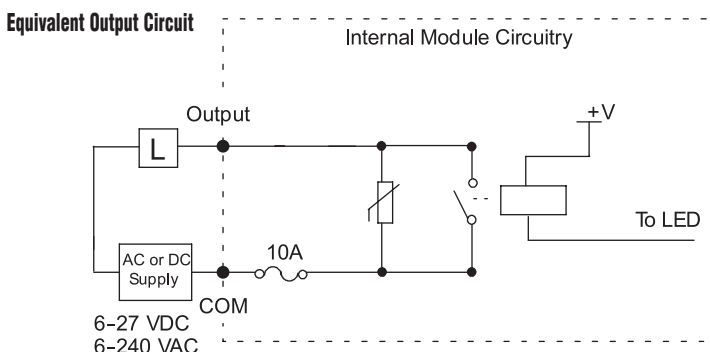
The 8-point relay output module uses a T1K-08B or T1K-08B-1 base, which is purchased separately.

The 16-point Relay output module uses a T1K-16B or T1K-16B-1 base, which is purchased separately.



Specifications	T1K-08TR	T1K-16TR
<b>Outputs per Module</b>	8 normally open	16 normally open
<b>Isolated Commons</b>	2 (4 pts. / common) isolated	4 (4 pts. / common) isolated
<b>Operating Voltage Range</b>	6-240 VAC (47-63)Hz, 6-27 VDC	
<b>Output Voltage Range</b>	5-264 VAC (47-63Hz), 5-30 VDC min./max.	
<b>Max. Load Current</b>	2A / pt., 8A / common	2A / pt., 6A / common (subject to derating)
<b>Max. Leakage Current</b>	0.1 mA @ 264 VAC	
<b>Max. Inrush Current</b>	6A for 10 ms / pt.; 20 A for 10 ms / com.	
<b>Min. Load</b>	5 mA @ 5 VDC	
<b>OFF to ON Response</b>	< 15 ms	
<b>ON to OFF Response</b>	< 10 ms	
<b>Base Power Required</b>	350 mA @ 5 VDC	700 mA @ 5 VDC
<b>Status Indicators</b>	Logic side	
<b>Error Status Indications(LEDs)</b>	FU1 ON = fuse 1 blown FU2 ON = fuse 2 blown	FU1/FU2 ON = fuse 1 or 2 blown FU3/FU4 ON = fuse 3 or 4 blown
<b>Fuses (User Replaceable) T1K-FUSE-1</b>	2, (10 A, 250 V / common) 5 x 20 mm type	4, (10 A, 250 V / common) 5 x 20 mm type
<b>Weight</b>	110 g	200 g

Voltage and Load Type	Typical Relay Life (Operations)	
	Load Current	
	1A	2A
<b>24 VDC Resistive</b>	500 K	250 K
<b>24 VDC Solenoid</b>	100 K	50 K
<b>110 VAC Resistive</b>	500 K	250 K
<b>110 VAC Solenoid</b>	200 K	100 K
<b>220 VAC Resistive</b>	350 K	200 K
<b>220 VAC Solenoid</b>	100 K	50 K



- PLC Overview
- DL05/06 PLC
- DL105 PLC
- DL205 PLC
- DL305 PLC
- DL405 PLC
- Field I/O**
- Software
- C-more HMI's
- Other HMI
- AC Drives
- Motors
- Steppers/Servos
- Motor Controls
- Proximity Sensors
- Photo Sensors
- Limit Switches
- Encoders
- Pushbuttons/Lights
- Process
- Relays/Timers
- Comm.
- TB's & Wiring
- Power
- Enclosures
- Appendix
- Part Index