

DR10 Series Inductive Proximity Sensors



10 x16 mm plastic –DC

- Eight models available
- Compact plastic housing
- Axial cable or M8 quick-disconnect models
- Complete overload protection
- IP67 rated

DR10 Series Rectangular DC Inductive Prox Selection Chart							
Part Number		Sensing Range	Housing	Output State	Logic	Connection	Dimensions
DR10-AN-1A	<-->	3mm (0.118in)	Shielded	N.O.	NPN	2m (6.5') axial cable	Figure 1
DR10-AP-1A	<-->				PNP	2m (6.5') axial cable	Figure 1
DR10-AN-1F	<-->				NPN	M8 (8mm) connector	Figure 2
DR10-AP-1F	<-->				PNP	M8 (8mm) connector	Figure 2
DR10-AN-2A	<-->	6mm (0.236in)	Unshielded	N.O.	NPN	2m (6.5') axial cable	Figure 1
DR10-AP-2A	<-->				PNP	2m (6.5') axial cable	Figure 1
DR10-AN-2F	<-->				NPN	M8 (8mm) connector	Figure 2
DR10-AP-2F	<-->				PNP	M8 (8mm) connector	Figure 2

Specifications		
Type	Shielded	Unshielded
Operating Distance	3mm (0.118in)	6mm (0.236in)
Material Correction Factors	*See Material Influence table #1	
Differential Travel	≤1-10%	
Repeat Accuracy	≤1%	
Operating Voltage	10-30VDC	
Ripple	≤10%	
Power Consumption	≤10mA	
Load Current	≤300mA	
Leakage Current	≤10µA	
Voltage Drop	≤1.5 V	
Output Type	NPN or PNP/N.O. only/three wire	
Switching Frequency	3kHz	
(tv) Time Delay Before Availability	2ms	
Input Voltage Transient Protection	Up to 30VDC	
Input Power Polarity Reversal Protection	Yes	
Output Power Short-Circuit Protection	Yes (switch auto-resets after overload is removed)	
Temperature Range	-25° to +75° C (-13° to 167° F)	
Temperature Drift	10% Sr	
Protection Degree (DIN 40050)	IEC IP67	
LED Indicators	Yellow (output energized)	
Housing Material	Plastic	
Sensing Face Material	Plastic	
Weight (cable/connector)	113g (3.99oz)/6g (0.21oz)	

Dimensions

Figure 1

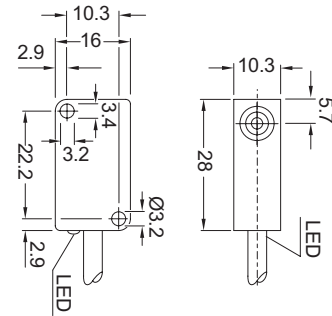
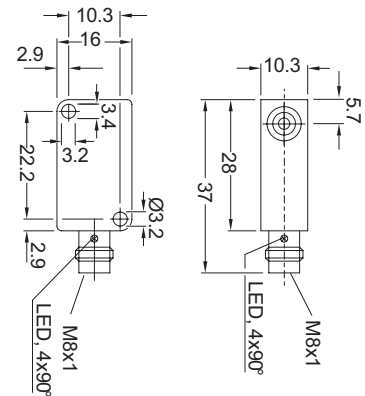


Figure 2



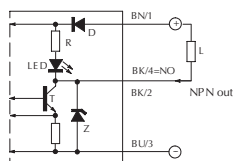
Cables and Accessories

Cables and accessories can be found starting on page 17–48.

Wiring diagrams

*See Material Influence table #1 on page 17–53

NPN Output



PNP Output

