

AT Series Analog Inductive Proximity Sensors



M30 (30 mm) metal – analog output

- Voltage or current analog output
- 4 models available
- Metal housing
- Axial cable or M12 quick-disconnect models
- IP67 rated

AT Series M30 Analog Inductive Prox Selection Chart						
Part Number	Price	Sensing Range	Housing	Output	Connection	Dimensions
AT9-05-1A	<--->	0 to 20mm (0-0.79in)	Shielded	0 - 5VDC or 1-5mA	2m (6.5') axial cable	Figure 1
AT9-05-1H	<--->				M12 (12mm) connector	Figure 2
AT9-10-1A	<--->	0 to 20mm (0-0.79in)		0-10VDC or 4-20mA	2m (6.5') axial cable	Figure 1
AT9-10-1H	<--->				M12 (12mm) connector	Figure 2

Specifications		
	AT9-05-1*	AT9-10-1*
Output Type	0-5VDC or 1-5mA	0-10VDC or 4-20mA
Resolution	≤5μm	
Repeat Accuracy	±0.05mm	
Material Correction Factors	See Proximity Sensor Terminology	
Operating Voltage	10 -30VDC	15 -30VDC
Ripple	≤20%	
No-load Supply Current	≤10mA	≤12mA
Voltage Output Min. Load	500Ω	1kΩ
Current Output Max. Load / Power Supply	1kΩ / 10VDC; 5kΩ / 30VDC	0.5kΩ / 15VDC; 1kΩ / 30VDC
Voltage Drop	≤2.0 V	
Time Delay Before Availability	≤50ms	
Input Voltage Transient Protection	Up to 30VDC	
Input Power Polarity Reversal Protection	Yes	
Output Power Short-Circuit Protection	Yes (switch auto-resets after overload is removed)	
Temperature Range	-25° to +70° C (-13° to 158° F)	
Temperature Drift	≤10% Sr	
Protection Degree (DIN 40050)	IEC IP67	
Agency Approvals	UL file E328811	
Housing Material	Chrome-plated brass	
Sensing Face Material	PBT	
Tightening Torque	60Nm (44lbs./ft.)	
Weight (cable/M8 connector)	190g (6.71 oz.) / 135g (4.76 oz.)	

Figure 1

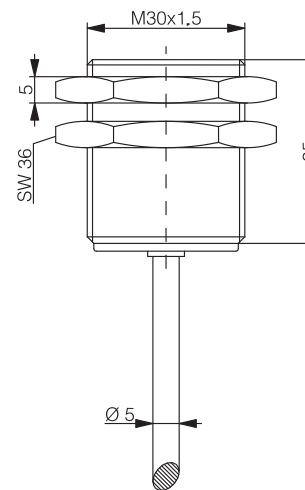
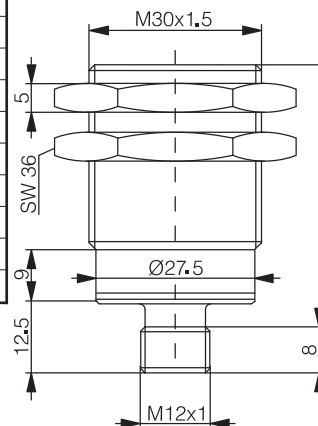
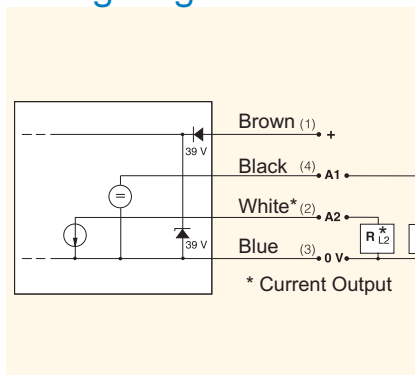


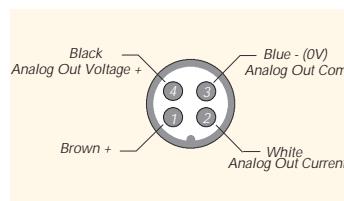
Figure 2



Wiring diagrams



Connector



Sensors with M12 connectors must use 2M or 7M cables (4-wire).

Sensors Accessories: Cables

Cables with quick-disconnect plugs

- Industry standard axial and right-angle M8/M12 screw-lock connectors with open leads. The cables listed can be used with patch cables
- 2m, 5m, 7m and 10m cable lengths

- PVC (polyvinyl chloride) jacket for typical industrial applications
- PUR (polyurethane) jacket for oily and direct sunlight applications
- IP67 rated



M8 Quick-Disconnect Cables (Pico, Nano)							
Part Number	Price	Length	Poles	Connector	LED	Jacket	Dimensions
M8 Quick-Disconnects							
CD08-0A-020-A1	<--->	2m (6.5ft.)	3	Axial	No	PVC	Figure 1
CD08-0A-020-C1	<--->	2m (6.5ft.)	3	Right-angle	No	PVC	Figure 2
CD08-0A-050-A1	<--->	5m (16.4ft.)	3	Axial	No	PVC	Figure 4
CD08-0C-050-A1	<--->	5m (16.4ft.)	3	Axial	No	PUR	Figure 3
CD08-0A-050-C1	<--->	5m (16.4ft.)	3	Right-angle	No	PVC	Figure 5
CD08-0C-050-C1	<--->	5m (16.4ft.)	3	Right-angle	No	PUR	Figure 5
CD08-0A-070-A1	<--->	7m (23ft.)	3	Axial	No	PVC	Figure 1
CD08-0A-070-C1	<--->	7m (23ft.)	3	Right-angle	No	PVC	Figure 2

M12 Quick-Disconnect Cables (Euro, Micro DC-Single Key)							
Part Number	Price	Length	Poles	Connector	LED	Jacket	Dimensions
M12 Quick-Disconnects							
CD12L-0B-020-A0	<--->	2m (6.5ft)	4	Axial	No	PVC	Figure 6
CD12L-0B-020-C0	<--->	2m (6.5ft)	4	Right-angle	No	PVC	Figure 7
CD12M-0B-050-A1*	<--->	5m (16.4ft)	3	Axial	No	PVC	Figure 8
CD12M-0D-050-A1*	<--->	5m (16.4ft)	3	Axial	No	PUR	Figure 9
CD12M-0B-050-C1*	<--->	5m (16.4ft)	3	Right-angle	No	PVC	Figure 10
CD12M-0D-050-C1*	<--->	5m (16.4ft)	3	Right-angle	No	PUR	Figure 11
CD12M-0B-070-A1	<--->	7m (23ft)	4	Axial	No	PVC	Figure 6
CD12M-0B-070-C1	<--->	7m (23ft)	4	Right-angle	No	PVC	Figure 7

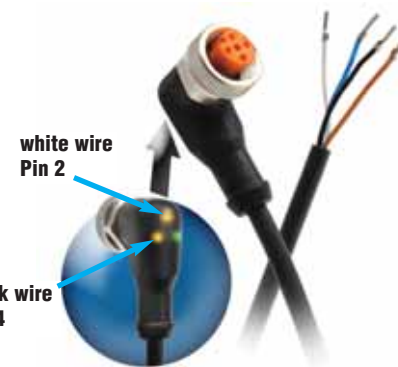
* Note: Do not use with: DM, FA, QX, SS, SSF, SU, TU, VM, VK, MV, MS or MSF series sensors. These sensors require 4-pole cables.

CD12M-0B-050-C1 and -A1 shown

Cables with LED and quick-disconnect plugs

- Industry standard M12 right angle female plug with open leads
- These cables can be used with patch cables
- 2m, 5m and 10m cable lengths

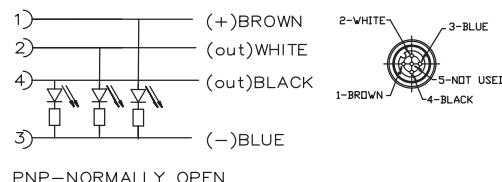
- PUR (polyurethane) jacket for oily and direct sunlight applications
- IP67 / IP68 / IP69K, II rated
- LED indication for 10 -36 VDC PNP sensors only



M12 Quick-Disconnect Cables with LED Indicator (Euro, Micro DC-Single Key)							
Part Number	Price	Length	Poles	Connector	LED	Jacket	Dimensions
M12 Quick-Disconnects							
EVC178*	<--->	2m (6.5ft)	4	Right-angle	Yes	PUR	Figure 12
EVC179*	<--->	5m (16.4ft)	4	Right-angle	Yes	PUR	Figure 12
EVC180*	<--->	10m (32.8ft)	4	Right-angle	Yes	PUR	Figure 12

*Note: LED for 10 to 36 VDC PNP only.
Do not use when white wire (Pin 2) is used for selection of a sensor function.

LED Models' Wiring



Sensors Accessories: Cables



Company Information

Systems Overview

Programmable Controllers

Field I/O

Software

C-more & other HMI

Drives

Soft Starters

Motors & Gearbox

Steppers/ Servos

Motor Controls

Proximity Sensors

Photo Sensors

Limit Switches

Encoders

Current Sensors

Pressure Sensors

Temperature Sensors

Pushbuttons/ Lights

Process

Relays/ Timers

Comm.

Terminal Blocks & Wiring

Power

Circuit Protection

Enclosures

Tools

Pneumatics

Appendix

Product Index

Part # Index

Cable Specifications

Specification	M8		M12		M12 with LED
Length	2m (6.5ft) / 7m (23ft)	5m (16.4ft)	2m (6.5ft) / 7m (23ft)	5m (16.4ft)	2m (6.5 ft) / 5m (16.4ft) / 10m (32.8ft)
Nominal Voltage	50VAC/75VDC	60VAC/DC	300VAC	250VAC/DC	10 to 36VDC
Max Current	4A		4A		4A
LED Current Loading	N/A	N/A	N/A	N/A	10V input Brown wire LED: 1.7mA White and/or Black LED: 0.9mA 36V input Brown wire LED: 7.3mA White and/or Black LED: 4.7mA
Protection Degree	IP67	IP65 / IP68 / IP69K	IP67	PVC: IP68 PUR: IP68 / IP69K	IP67 / IP68 / IP69K
Material Nut	brass; nickel plated		brass; nickel plated		brass; nickel plated
Jacket Material	PVC	PVC:CD08-0A-xxx. PUR:CD08-0C-xxx	PVC	PVC:CD12M-0B-xxx. PUR:CD12M-0D-xxx	PUR
Housing Material	PUR		PUR		PUR
Contacts Material	Copper-Tin Alloy (CuSn) -gold plated		Copper-Tin Alloy (CuSn) -gold plated		Gold plated brass
Tightening Torque	0.5 Nm	≤ 0.4 Nm	0.5 Nm	≤ 0.4 Nm	0.6 to 1.5 Nm
Conductors Cross Section (AWG)	0.25mm ² (24 AWG)	0.25mm ² (24 AWG)	0.25mm ² (24 AWG)	0.34mm ² (22 AWG)	4 x 0.34mm ² (4 x 22 AWG)
Ø Outer Cable	5mm	PVC: 4 mm PUR: 4 mm	5mm	PVC: 4.2 mm PUR: 4.3 mm	5mm
Temperature Range	-25° to +80°C (-13° to 176°F)	-25° to 90°C (-13° to 194°F)	-25° to +80°C (-13° to 176°F)	PVC: -30° to 70°C (-22° to 158°F) PUR: -50° to 90°C (-58° to 194°F)	-25° to +90°C (-13° to 194°F)
Environmental	N/A	Halogen free, Silicone free	N/A	Halogen free, Silicone free	Halogen free, Silicone free
Function Display Power LED	N/A	N/A	N/A	N/A	Green
Switching Status LED	N/A	N/A	N/A	N/A	2 x Yellow
Drag Chain (Roller Cable Tray) Suitability	Bending Radius	min. 10 x cable diameter			
	Bending Cycles	N/A	N/A	N/A	>5 million
	Travel Speed	N/A	N/A	N/A	Max. 3.3 m/s for a horizontal travel length of 5 meters and max. acceleration of 5 m/s ²
	Torsional Strain	N/A	N/A	N/A	±180°/m
Agency Approvals	RoHS				UL File E191684, RoHS

UL Reference

Part Number	Mini-Series Female Cord Connectors Series M12, UL Catalog Number
EVC178	ADOAH043MSS0002H04
EVC179	ADOAH043MSS0005H04
EVC180	ADOAH043MSS0010H04
Note: Shown in UL file under Mini-series Female Cord Connectors using catalog number	

Sensors Accessories: Cables

Dimensions (in/mm)

Figure 1

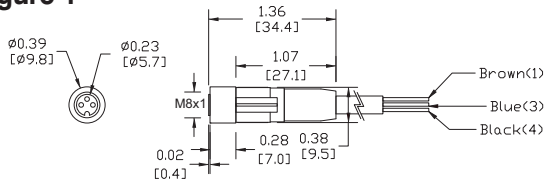


Figure 2

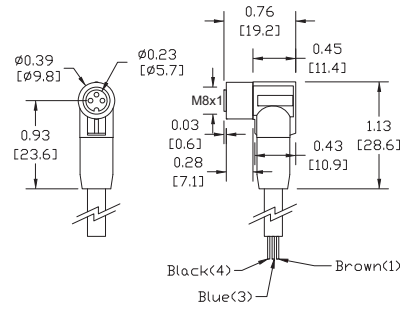


Figure 3

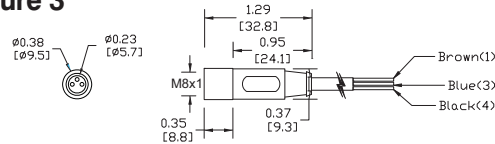


Figure 4

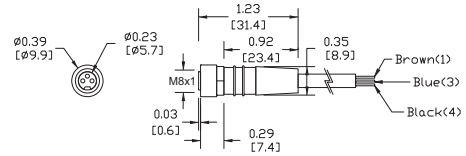


Figure 5

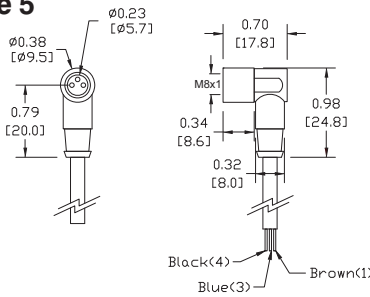


Figure 6

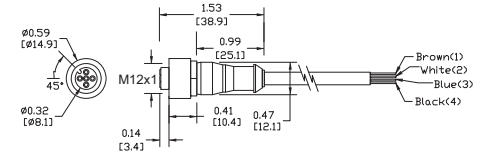


Figure 7

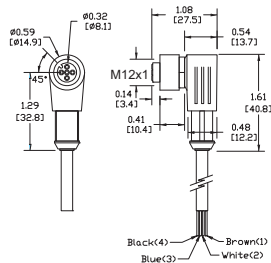


Figure 8

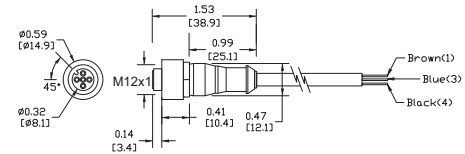


Figure 9

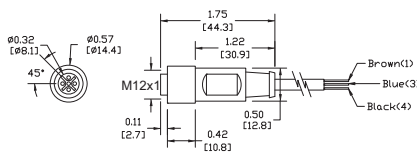


Figure 10

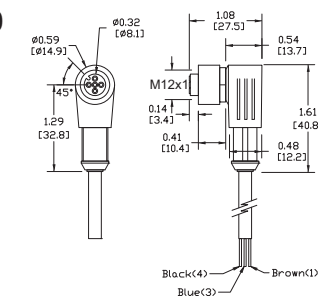


Figure 11

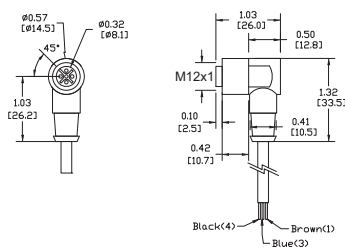
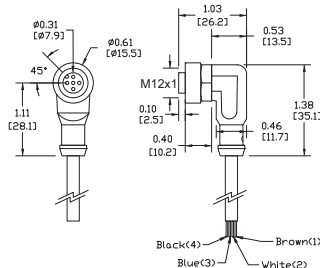


Figure 12



Sensors Accessories: Cables

Patch cables with quick-disconnect plugs on each end

Available patch cables include:

- Industry standard M8 and M12 screw-lock connectors
- One male and one female connector

- Axial and right-angle connector models
- 1m and 3m cable lengths
- PVC (polyvinyl chloride) jacket for typical industrial applications
- IP67 rated



M8 Patch Cables with Quick-Disconnect on Each End (Pico, Nano)						
Part Number	Price	Length	Poles	Connectors	Jacket	Dimensions
M8 Quick-Disconnect Patch Cables						
CDP08-0A-010-AA	<--->	1m (3.28ft)	3	2 Axial. One male and one female connector	PVC	Figure 1
CDP08-0A-010-BB	<--->	1m (3.28ft)	3	2 Right-angle. One male and one female connector	PVC	Figure 3
CDP08-0A-030-AA	<--->	3m (9.84ft)	3	2 Axial. One male and one female connector	PVC	Figure 2
CDP08-0A-030-BB	<--->	3m (9.84ft)	3	2 Right-angle. One male and one female connector	PVC	Figure 3

M12 Patch Cables with Quick-Disconnect on Each End (Euro, Micro DC-Single Key)						
Part Number	Price	Length	Poles	Connectors	Jacket	Dimensions
M12 Quick-disconnect Patch Cables						
CDP12-0B-010-AA	<--->	1m (3.28ft)	4	2 Axial. One male and one female connector	PVC	Figure 4
CDP12-0B-010-BB	<--->	1m (3.28ft)	4	2 Right-angle. One male and one female connector	PVC	Figure 5
CDP12-0B-030-AA	<--->	3m (9.84ft)	4	2 Axial. One male and one female connector	PVC	Figure 4
CDP12-0B-030-BB	<--->	3m (9.84ft)	4	2 Right-angle. One male and one female connector	PVC	Figure 5

Patch Cables with LED

Available patch cables with LED include:

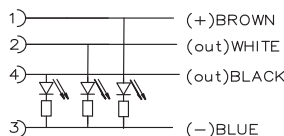
- Right-angle M12 female plug with LED indication on one end and axial male plug on the other end
- 0.3m, 0.6m, 1m, 2m, 5m, and 10m cable lengths

- PUR (polyurethane) jacket for oily and direct sunlight applications
- IP67 / IP68 / IP69K, II rated
- LED indication for 10 -36 VDC PNP sensors only



black wire
Pin 4

LED Models' Wiring



PNP-NORMALLY OPEN



M12 Patch Cables with LED Indicator (Euro, Micro DC-Single Key)							
Part Number	Price	Length	Poles	Connectors	LED	Jacket	Dimensions
M12 Patch Cables							
EVC322*	<--->	0.3m (0.98ft)	4	Right-angle female, axial male	Yes	PUR	Figure 6
EVC323*	<--->	0.6m (1.97ft)	4	Right-angle female, axial male	Yes	PUR	Figure 6
EVC324*	<--->	1m (3.28ft)	4	Right-angle female, axial male	Yes	PUR	Figure 6
EVC325*	<--->	2m (6.5ft)	4	Right-angle female, axial male	Yes	PUR	Figure 6
EVC326*	<--->	5m (16.4ft)	4	Right-angle female, axial male	Yes	PUR	Figure 6
EVC327*	<--->	10m (32.8ft)	4	Right-angle female, axial male	Yes	PUR	Figure 6

**Note: LED for 10 to 36 VDC PNP only.
Do not use when white wire (Pin 2) is used for selection of a sensor function.**

Sensors Accessories: Cables

Cable Specifications		
Specification	M8 / M12	M12 with LED
Length	1m (3.28ft.) / 3m (9.84ft.)	0.3m (0.98ft) / 0.6m (1.97ft) / 1m (3.28ft) 2m (6.5ft) / 5m (16.4ft) / 10m (32.8ft)
Nominal Voltage	50VAC/75VDC	10 to 36VDC
Max Current	4A	4A
	N/A	10V input Brown wire LED: 1.7mA White and/or Black LED: 0.9mA 36V input Brown wire LED: 7.3mA White and/or Black LED: 4.7mA
Protection Degree	IEC IP67	IEC IP67/IP68/IP69K
Material Nut	Brass: nickel plated	Brass: nickel plated
Jacket Material	PVC	PUR
Housing Material	PUR	Connector: Orange PUR, Socket: Black PUR
Contacts Material	Copper-fin(CuSn)=Brass	Brass; gold plated
Conductors Cross Section (AWG)	0.34mm ²	0.34mm ² (22 AWG)
Tightening Torque	0.5 Nm	Plug: 0.6 to 1.5 Nm (take into account the maximum value of the counterpart) Socket: 0.6 to 1.5 Nm
Ø Outer Cable	5mm	5mm
Temperature Range	-25° to +70°C (-13° to 158°F)	-25° to +90°C (-13° to 194°F)
Environmental		Halogen-free, Silicone-free
Function Display LED	N/A	Green
Switching Status LED	N/A	2 x Yellow
Drag Chain (Roller Cable Tray) Suitability	Bending Radius	min. 10 x cable diameter
	Bending Cycles	>5 million
	Travel Speed	N/A Max. 3.3 m/s for a horizontal travel length of 5 m and max. acceleration of 5 m/s ²
	Torsional Strain	N/A ±180°/m
Agency Approvals	RoHS	UL File E191684, RoHS

UL Reference	
Part Number	Cable Assemblies Series M12, UL Catalog Number
EVC322	VDOAH043MSS00.3H04STGH040MSS
EVC323	VDOAH043MSS00.6H04STGH040MSS
EVC324	VDOAH043MSS0001H04STGH040MSS
EVC325	VDOAH043MSS0002H04STGH040MSS
EVC326	VDOAH043MSS0005H04STGH040MSS
EVC327	VDOAH043MSS0010H04STGH040MSS
<i>Note: Shown in UL file under Cable Assemblies using catalog number</i>	

Sensors Accessories: Cables

Dimensions (in/mm)

Figure 1

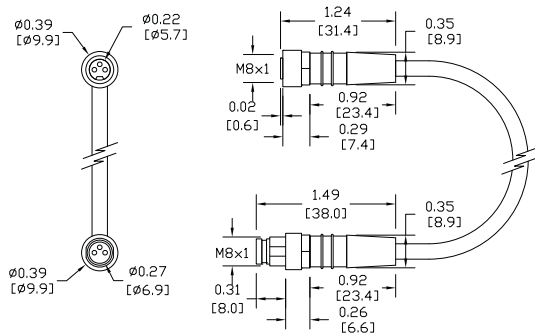


Figure 2

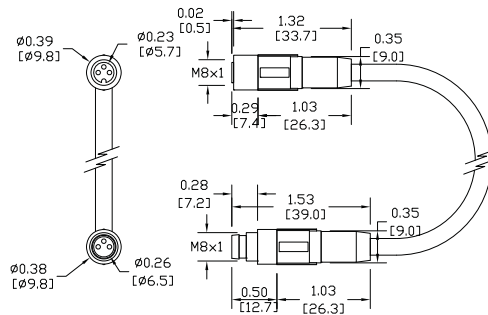


Figure 3

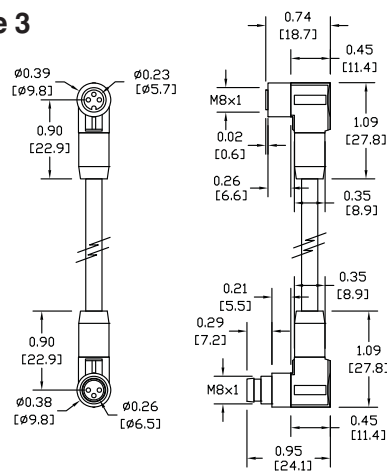


Figure 4

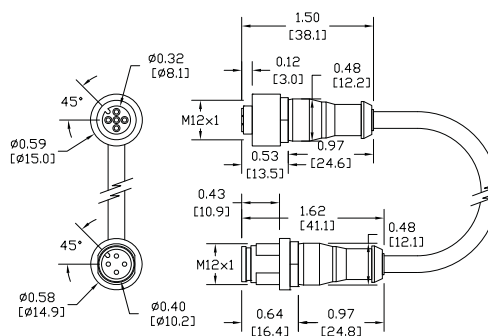


Figure 5

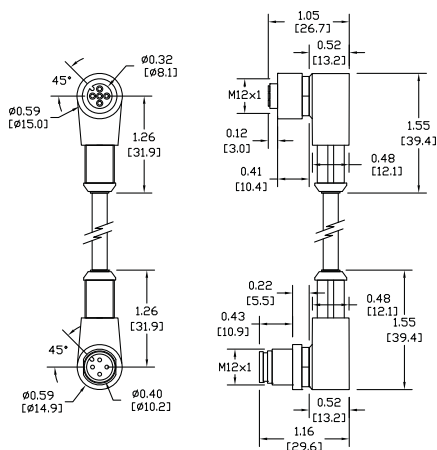
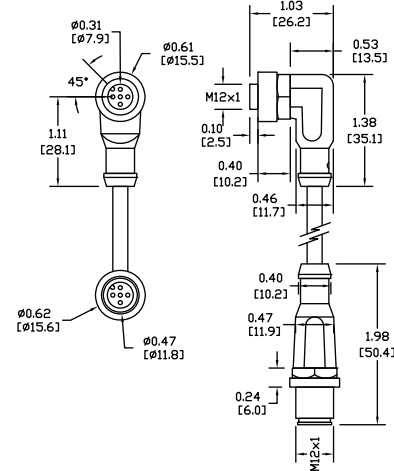


Figure 6



Accessories: Adapter, Mounting Brackets

ST12A axial bracket

For mounting M12 (12 mm) sensors. Has two mounting holes (use 3 mm screws) and allows the rotation of an optical axis for right-beam angle adapter sensors. Hexagonal nuts not included.

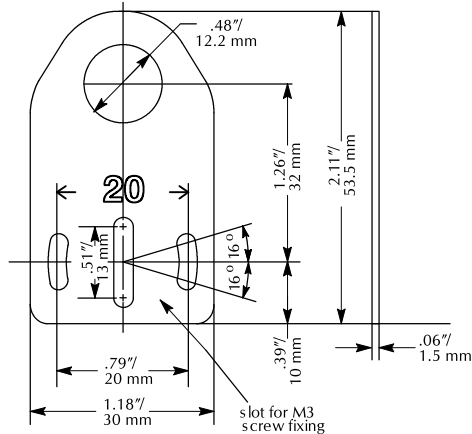


ST12C right-angle bracket

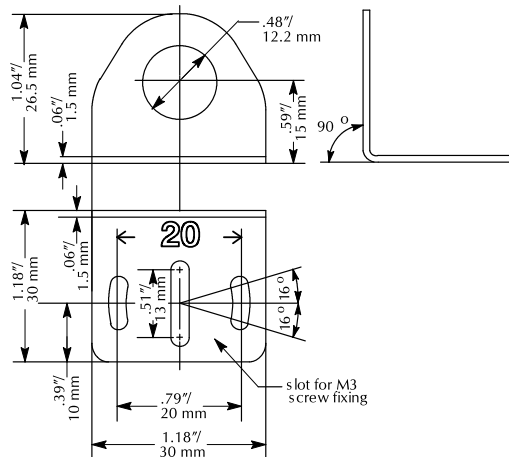
Angular mounting bracket for use with M12 (12 mm) sensors. Has two mounting holes (use 3 mm screws) and allows the rotation of an optical axis for axial sensors. Hexagonal nuts not included.



Brackets		
Part Number	Price	Description
ST12A	<-->	Metal axial bracket for 12 mm sensors, 1/pk
ST12A7W	<-->	316L stainless steel axial bracket for 12 mm sensors, 1/pk



Brackets		
Part Number	Price	Description
ST12C	<-->	Metal right angle bracket for 12 mm sensors, 1/pk
ST12C7W	<-->	316L stainless steel right angle bracket for 12 mm sensors, 1/pk



ST18A axial bracket

Mounting bracket for M18 (18 mm) sensors. Has two mounting holes (use 4 mm screws) and allows the rotation of an optical axis for right-beam-angle-adaptor sensors. Hexagonal nuts not included.

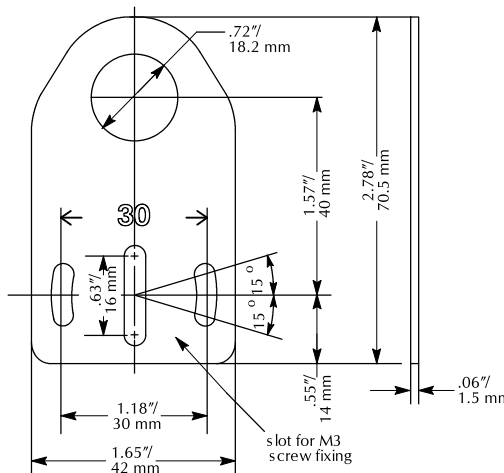


ST18C right-angle bracket

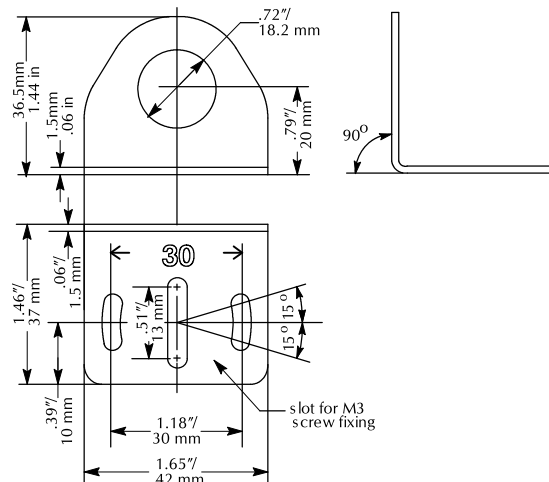
Angular mounting bracket for M18 (18 mm) sensors. Has two mounting holes (use 4 mm screws) and allows the rotation of an optical axis for axial sensors. Hexagonal nuts not included.



Brackets		
Part Number	Price	Description
ST18A	<-->	Metal axial bracket for 18 mm sensors, 1/pk
ST18A7W	<-->	316L stainless steel axial bracket for 18 mm sensors, 1/pk



Brackets		
Part Number	Price	Description
ST18C	<-->	Metal right angle bracket for 18 mm sensors, 1/pk
ST18C7W	<-->	316L stainless steel right angle bracket for 18 mm sensors, 1/pk



Accessories: Mounting Brackets

ST30A axial bracket

Mounting M30 (30 mm) sensors. Has two mounting holes (use 5 mm screws) and allows the rotation of an optical axis for right-beam-angle-adapter sensors. Hexagonal nuts not included.



ST30C right-angle bracket

Angular mounting bracket for M30 (30 mm) sensors. Has two mounting holes (use 5 mm screws) and allows the rotation of an optical axis for axial sensors. Hexagonal nuts not included.



Brackets		
Part Number	Price	Description
ST30A	<--->	Metal axial bracket for 30 mm sensors, 1/pk

Brackets		
Part Number	Price	Description
ST30C	<--->	Metal right angle bracket for 30 mm sensors, 1/pk

